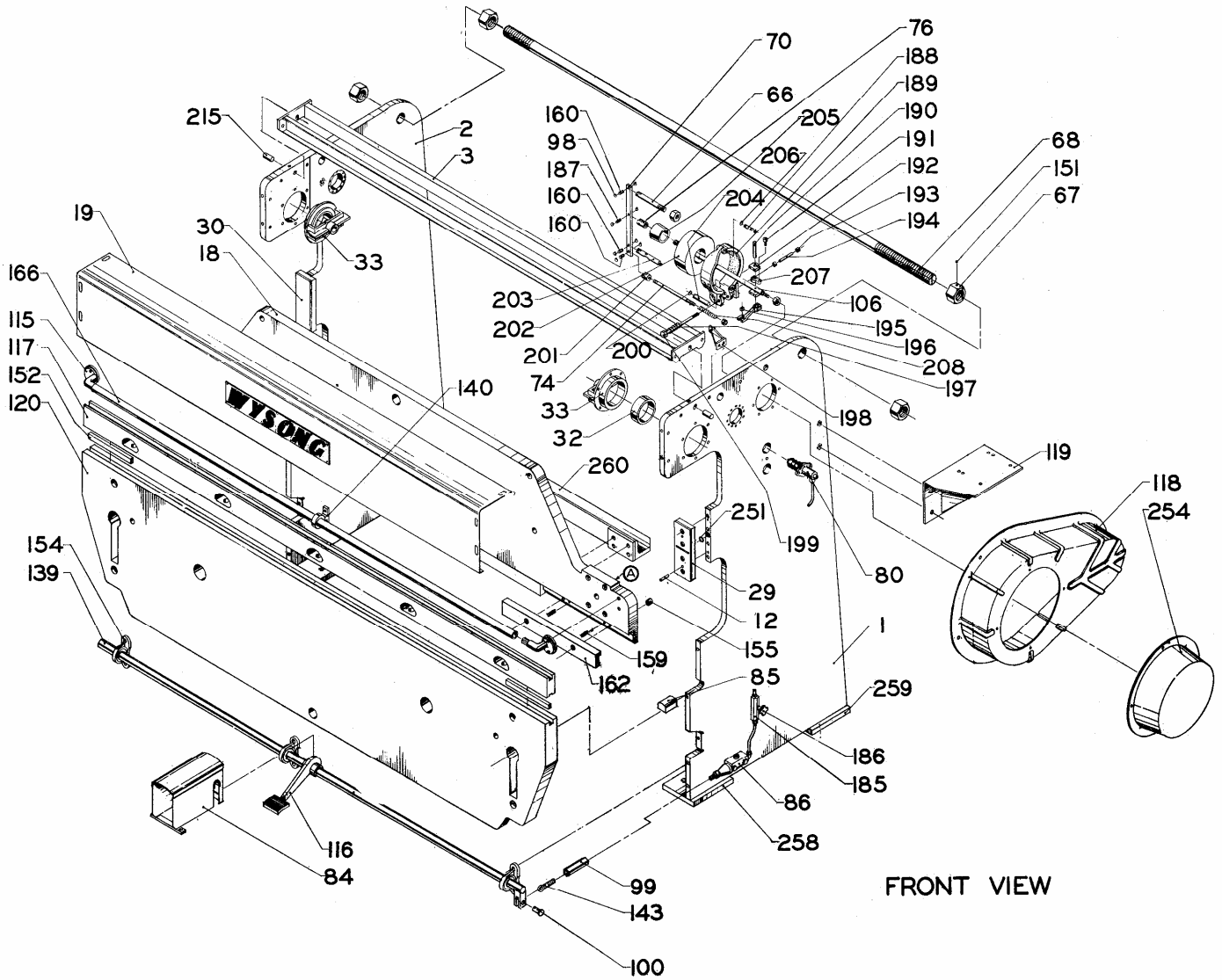
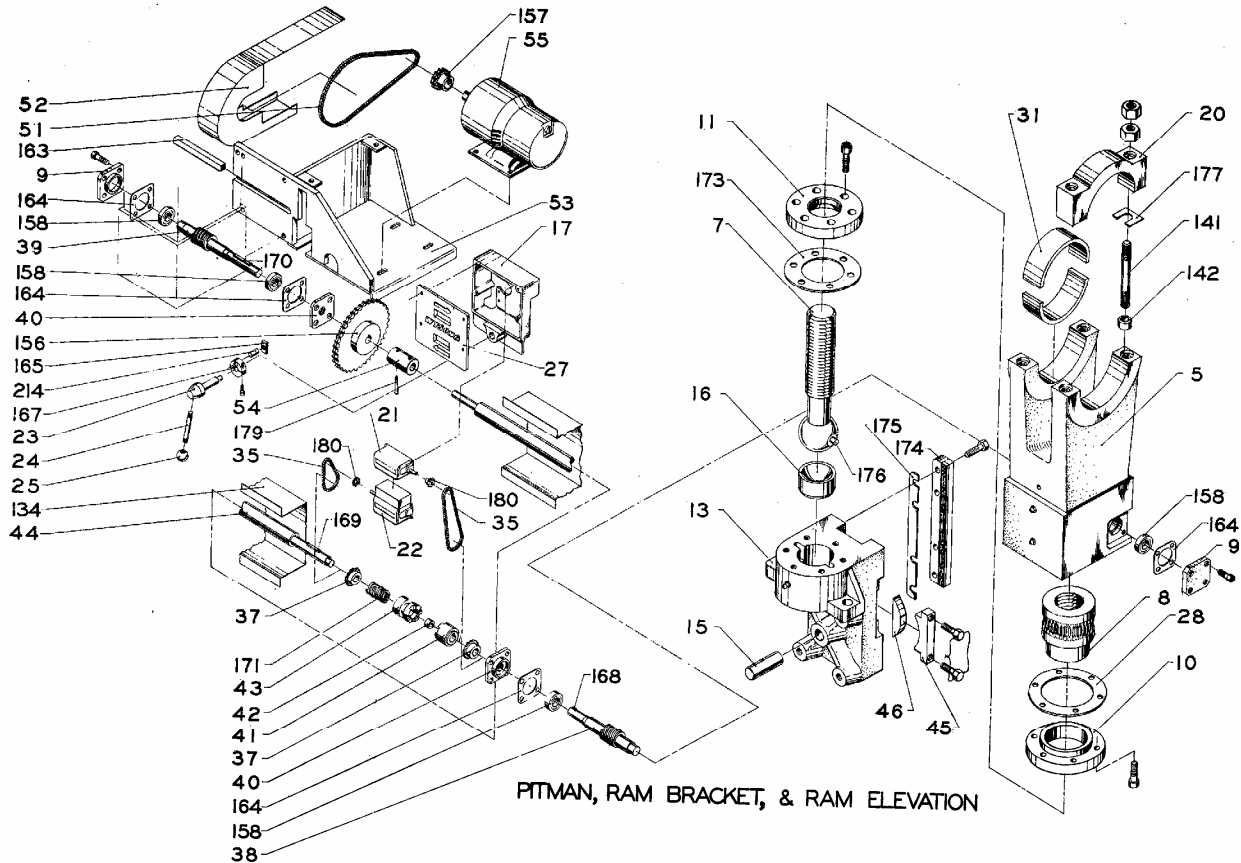


150 TON, SINGLE SPEED

WYSONG SINGLE SPEED, 150 TON MECHANICAL PRESS BRAKE

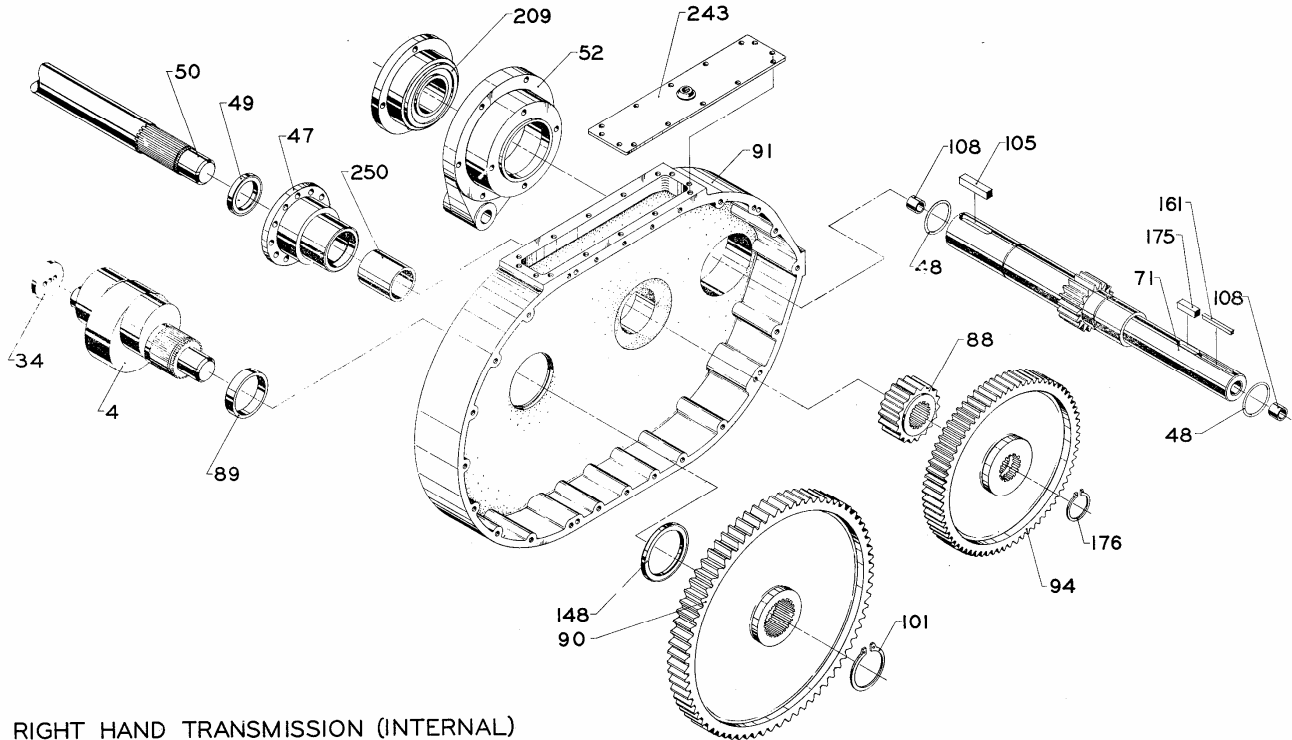


PITMAN, RAM BRACKET & RAM ELEVATION



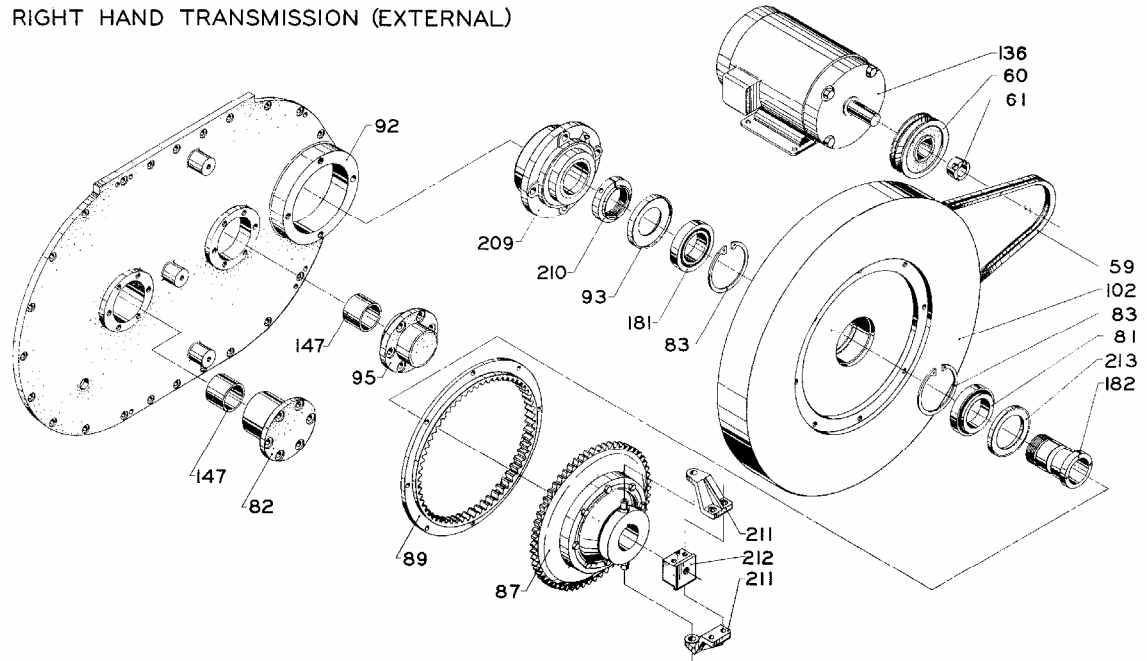
PITMAN, RAM BRACKET, & RAM ELEVATION

RIGHT HAND TRANSMISSION (INTERNAL)

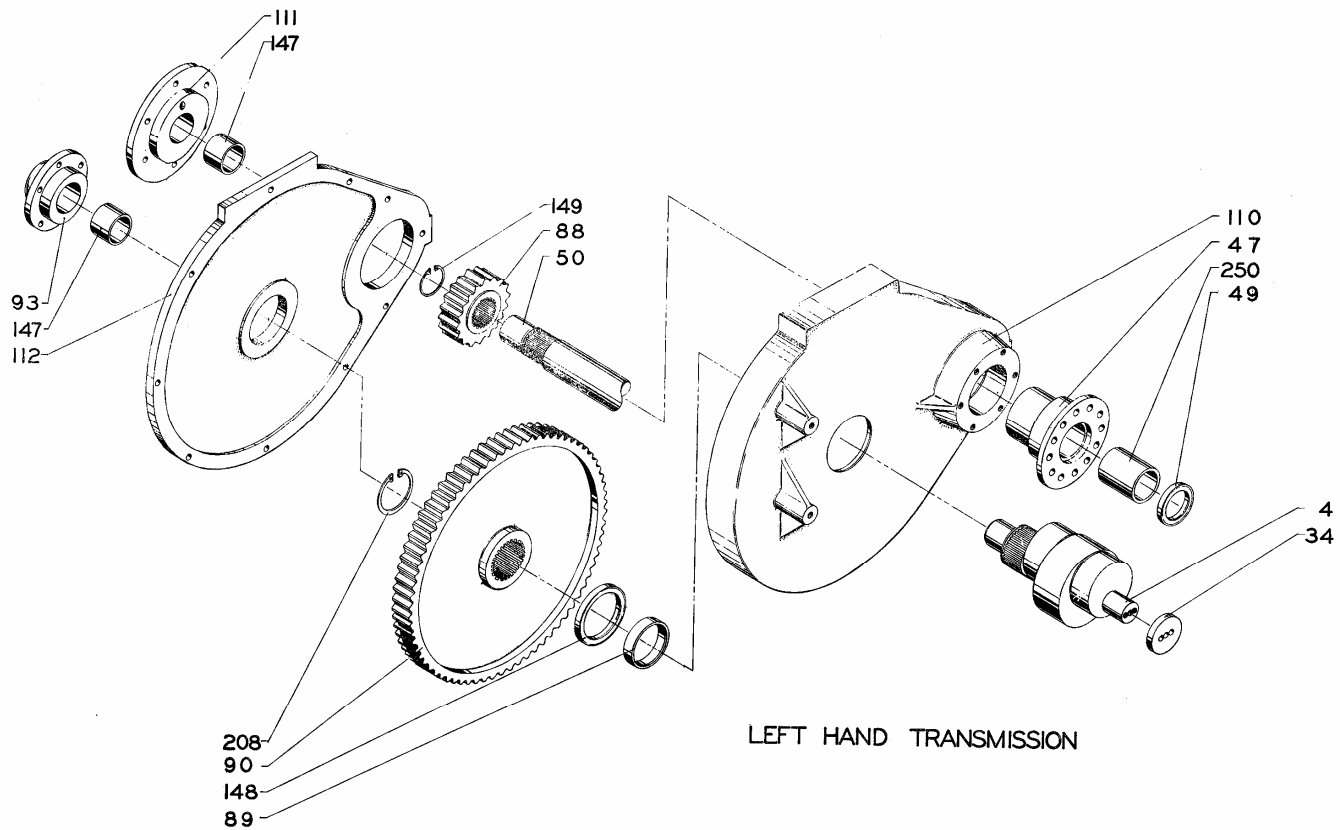


RIGHT HAND TRANSMISSION (INTERNAL)

RIGHT HAND TRANSMISSION (EXTERNAL)



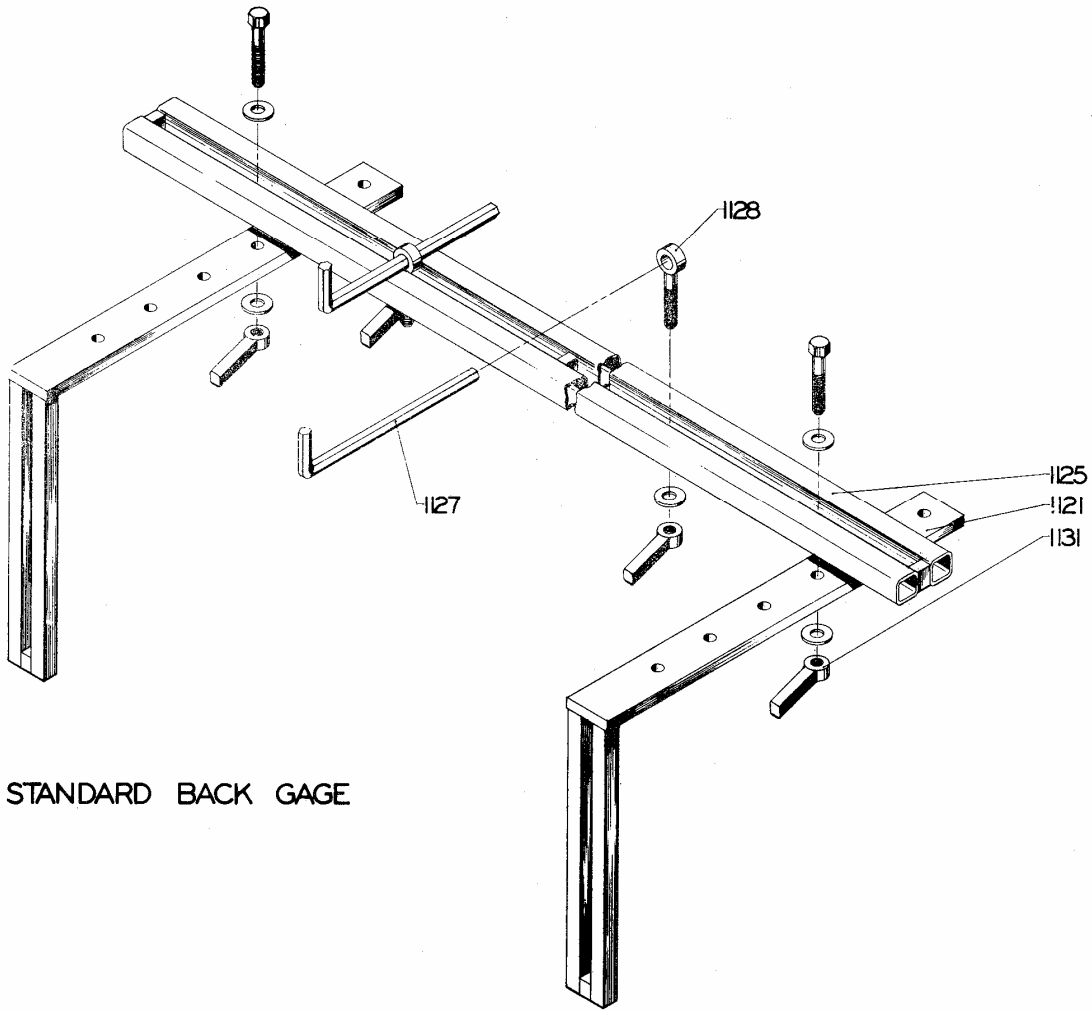
R. H. TRANSMISSION (EXTERNAL)



LEFT HAND TRANSMISSION

L. H. TRANSMISSION

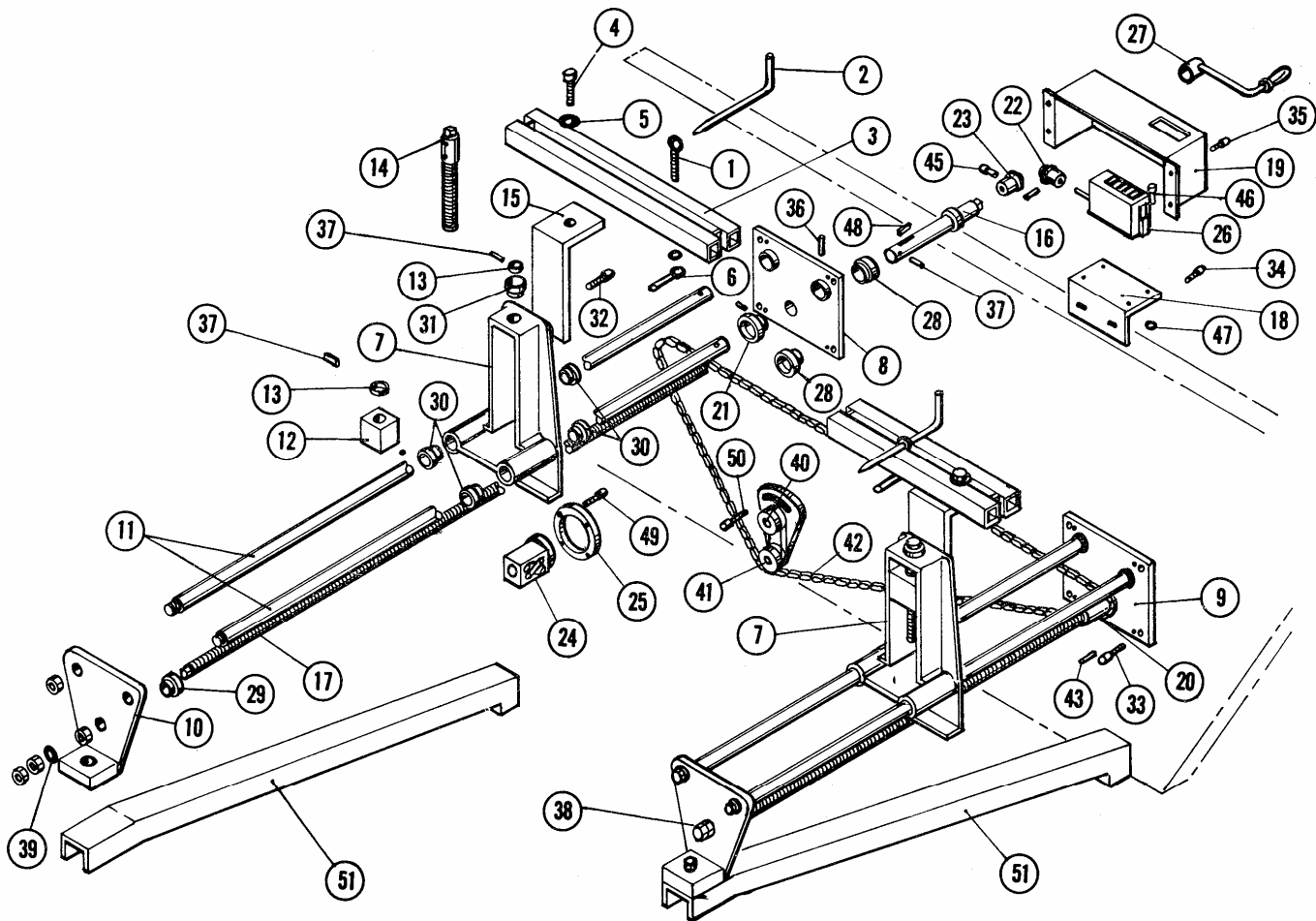
STANDARD MANUAL BACK GAUGE



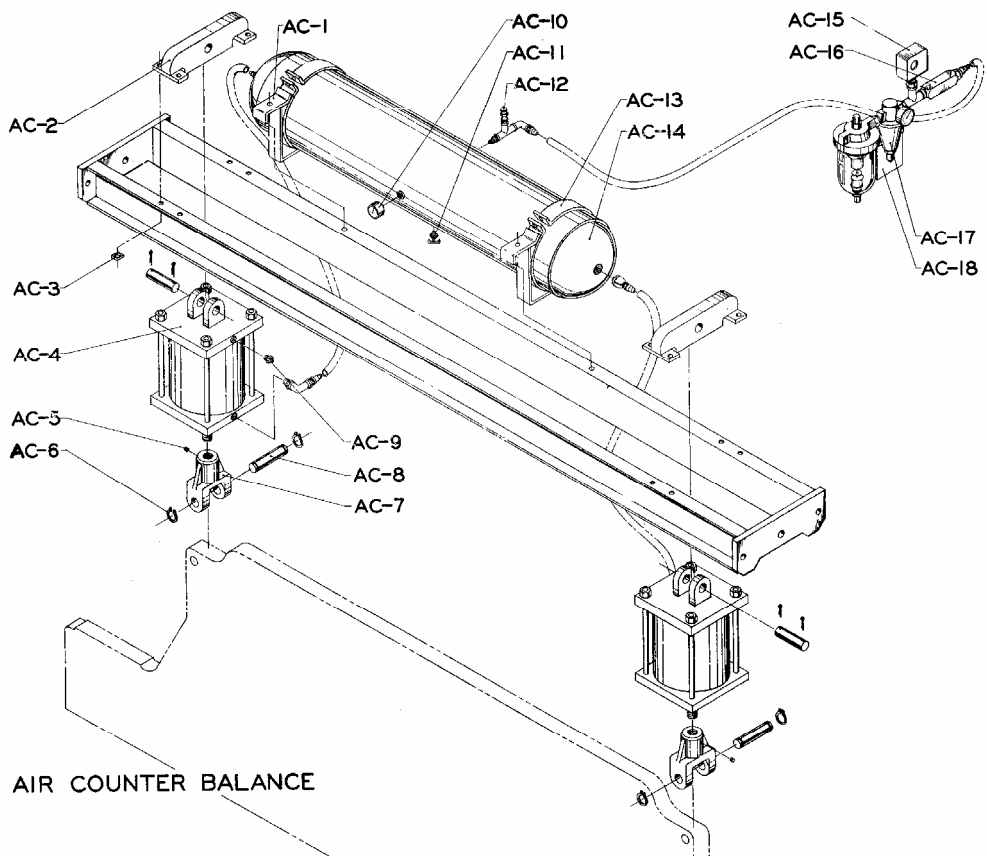
STANDARD BACK GAGE

STANDARD BACK GAUGE

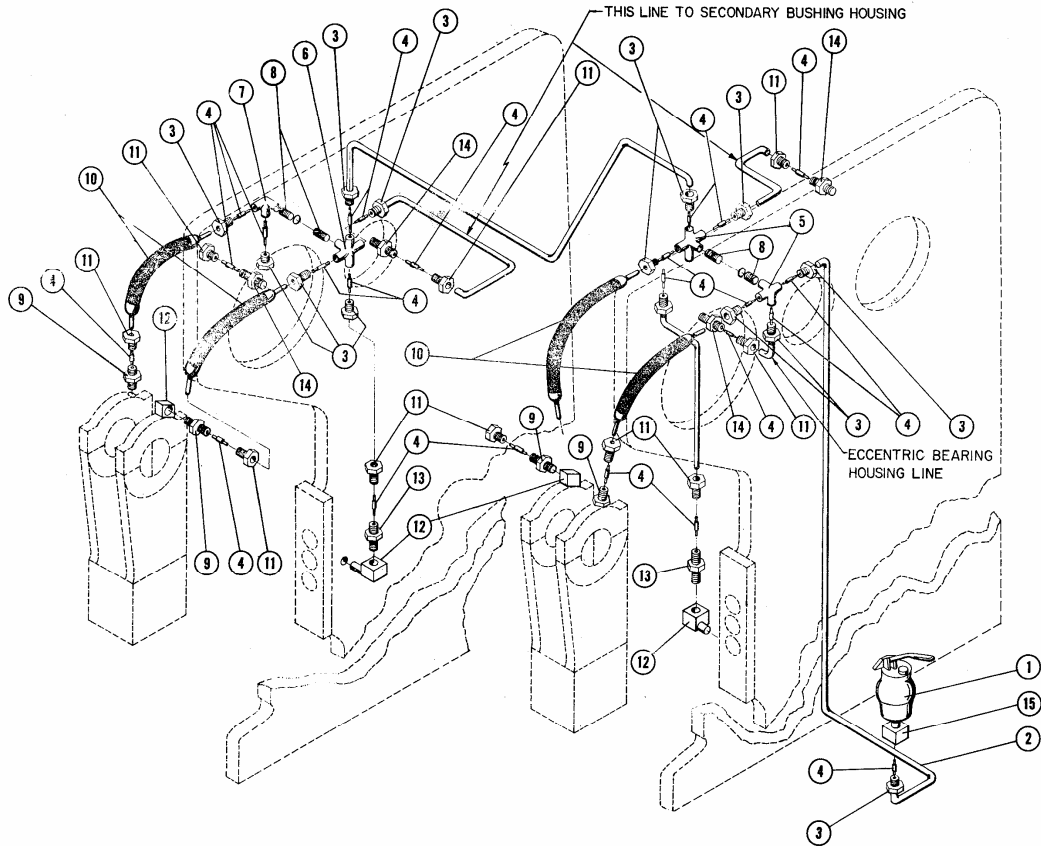
PRECISION FRONT OPERATED BACK GAUGE



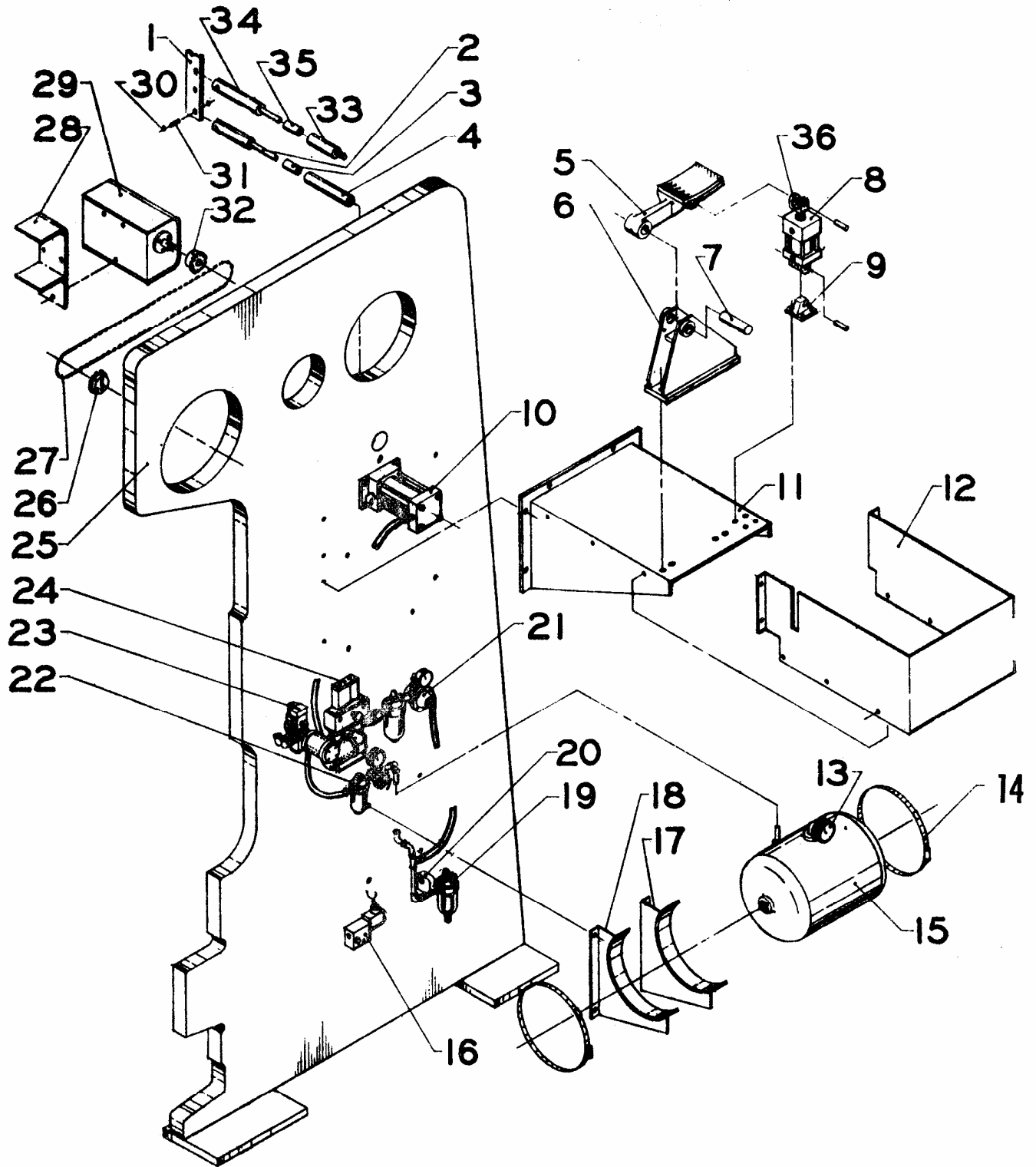
OPTIONAL, AIR COUNTERBALANCE SYSTEM



AUTOMATIC LUBRICATION SYSTEM



AIR HYDRAULIC & FLYWHEEL BRAKE



AIR/HYDRAULIC &
FLYWHEEL BRAKE OPTION