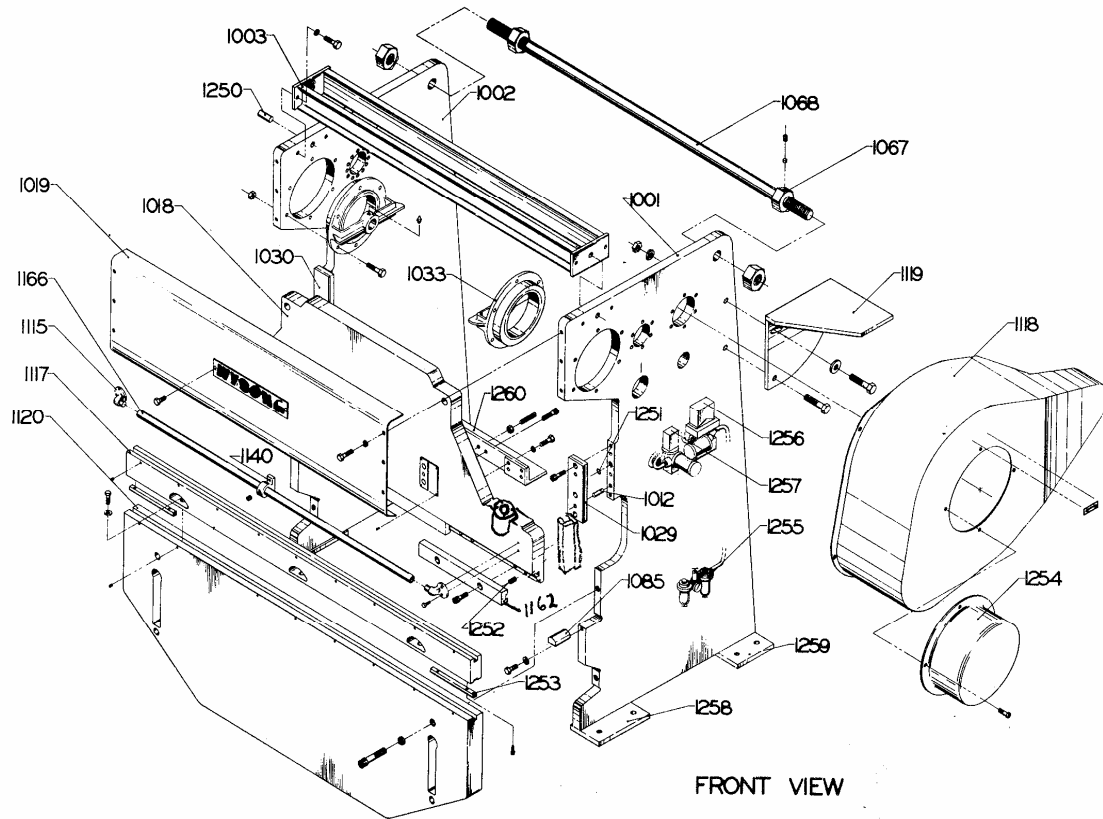
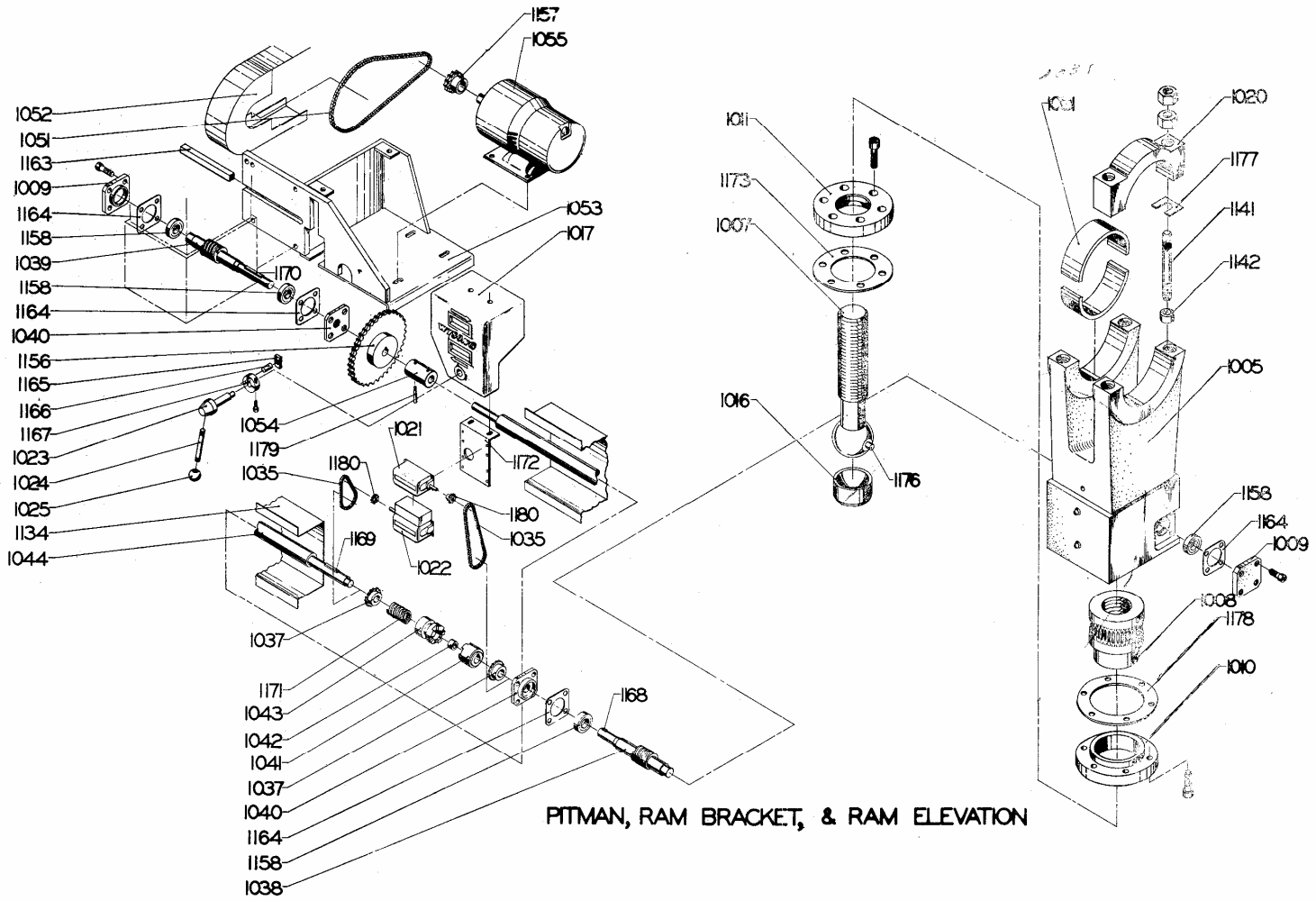


FRAME ASSEMBLY

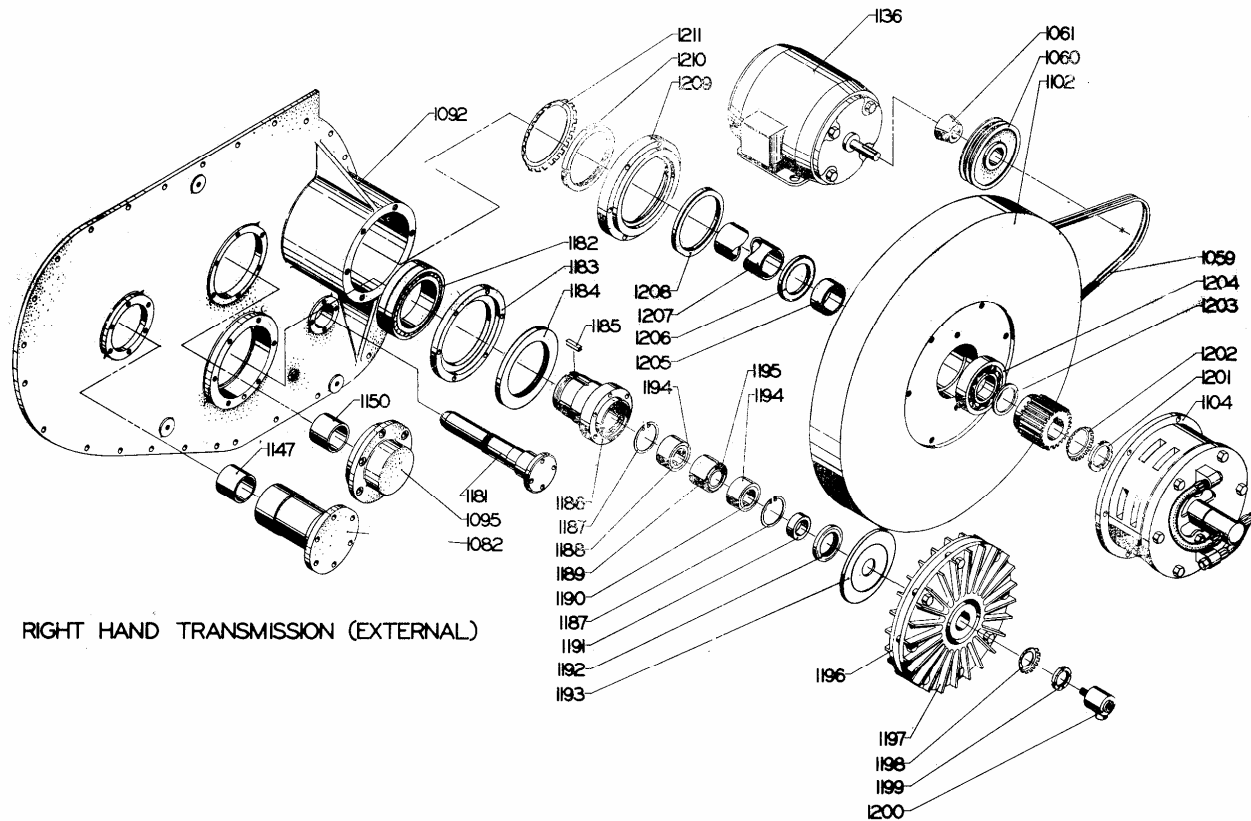


PITMAN, RAM, BRACKET & RAM ELEVATION



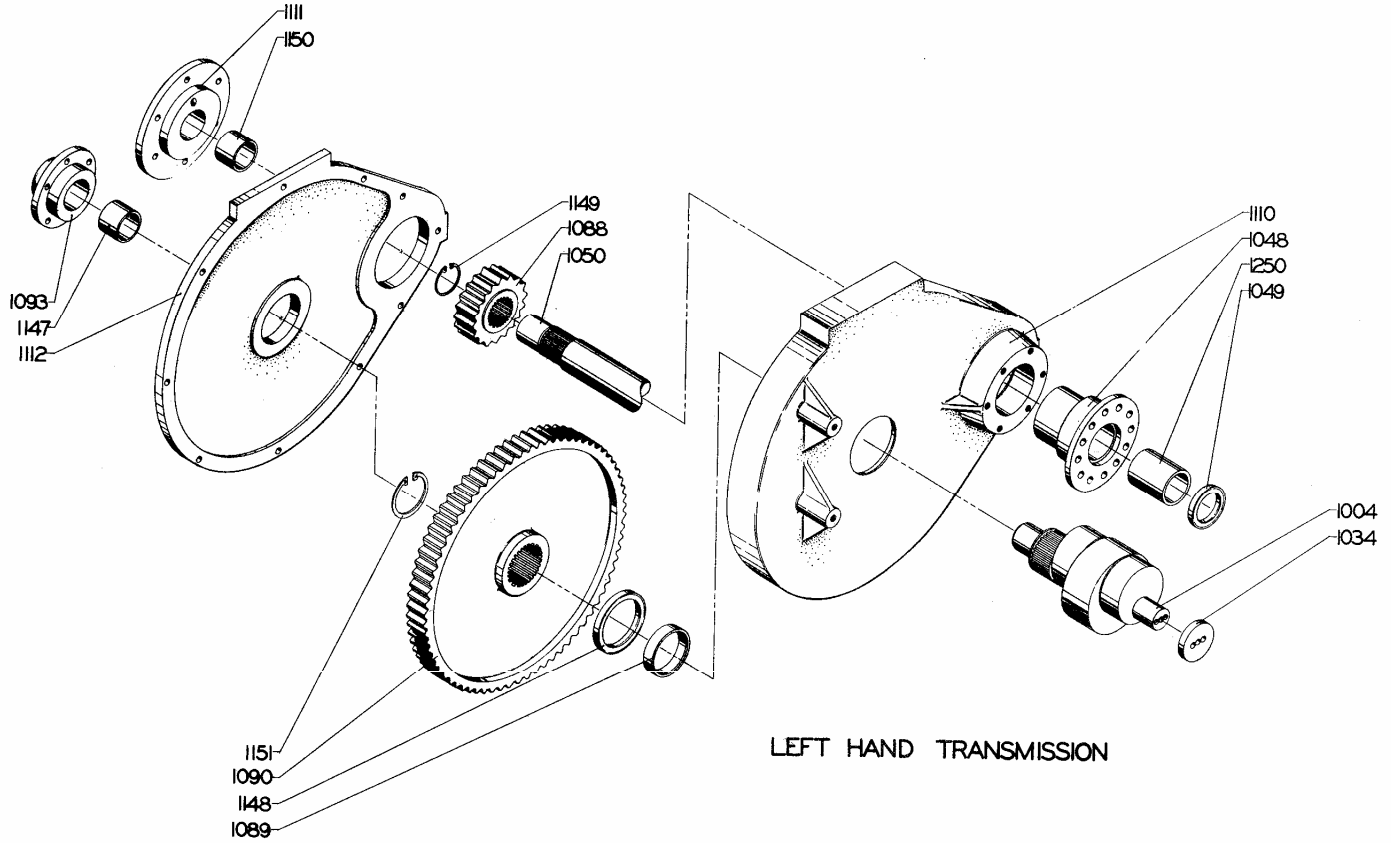
PITMAN, RAM BRACKET, & RAM ELEVATION

RIGHT HAND TRANSMISSION (EXTERNAL)



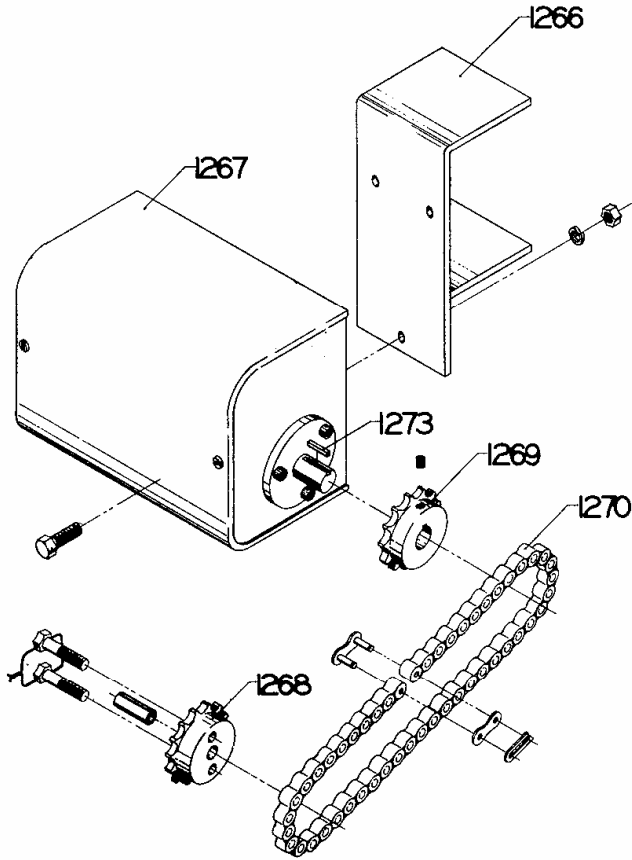
RIGHT HAND TRANSMISSION (EXTERNAL)

LEFT HAND TRANSMISSION

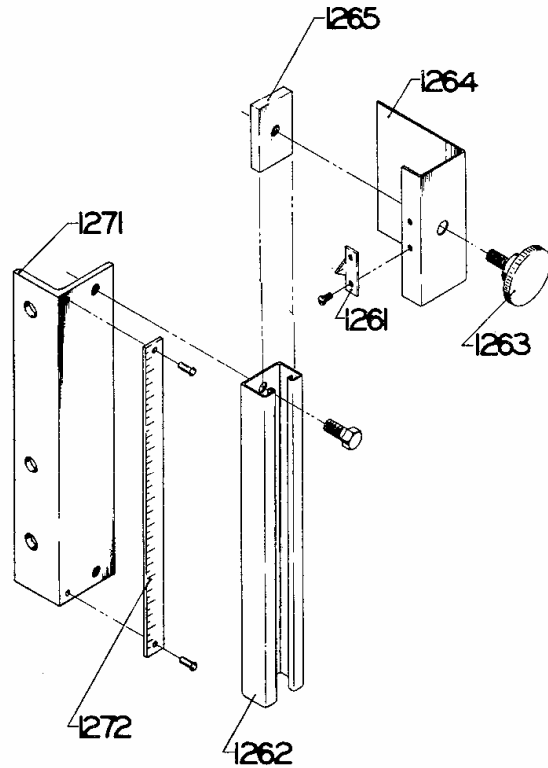


LEFT HAND TRANSMISSION

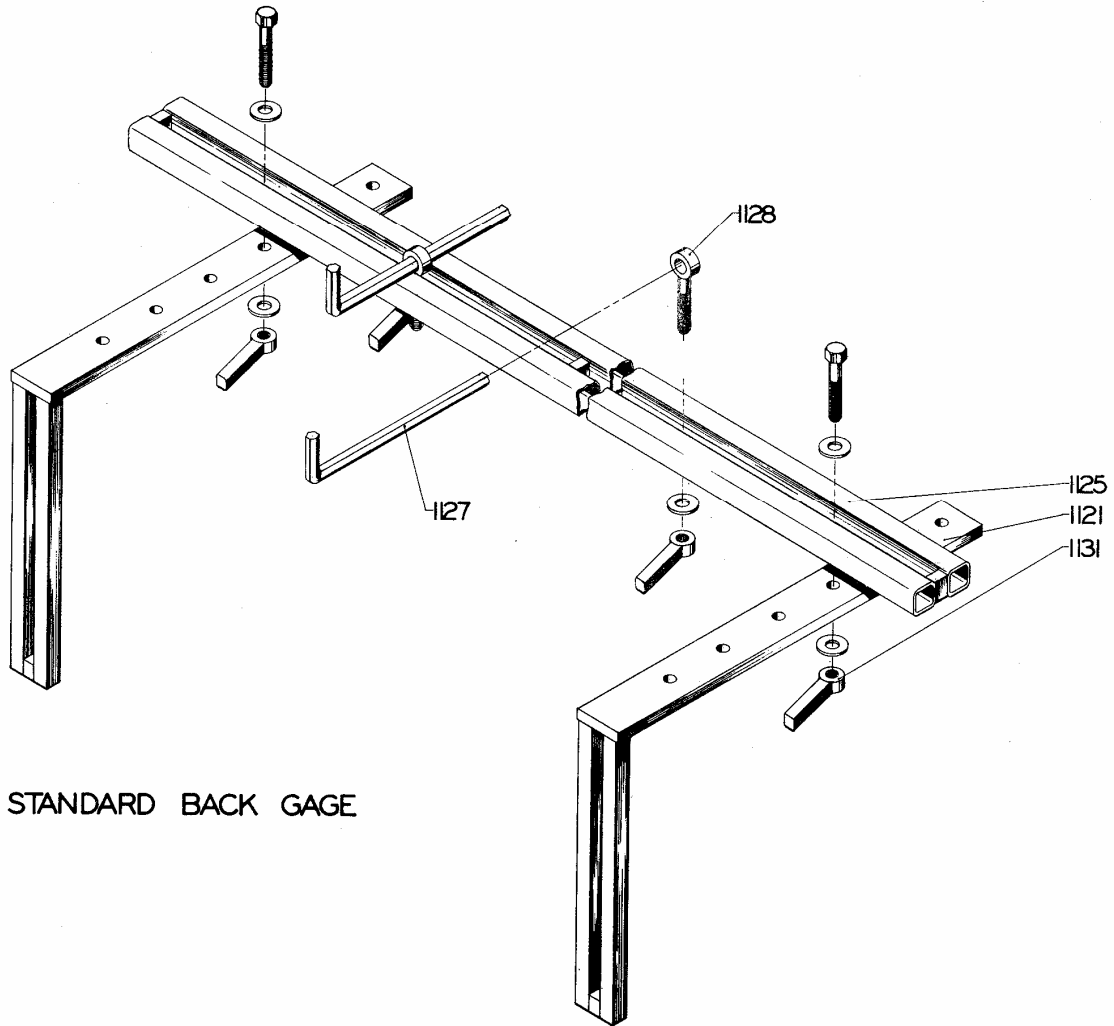
HI-LO ADJUSTMENT



HI-LO ADJUSTMENT

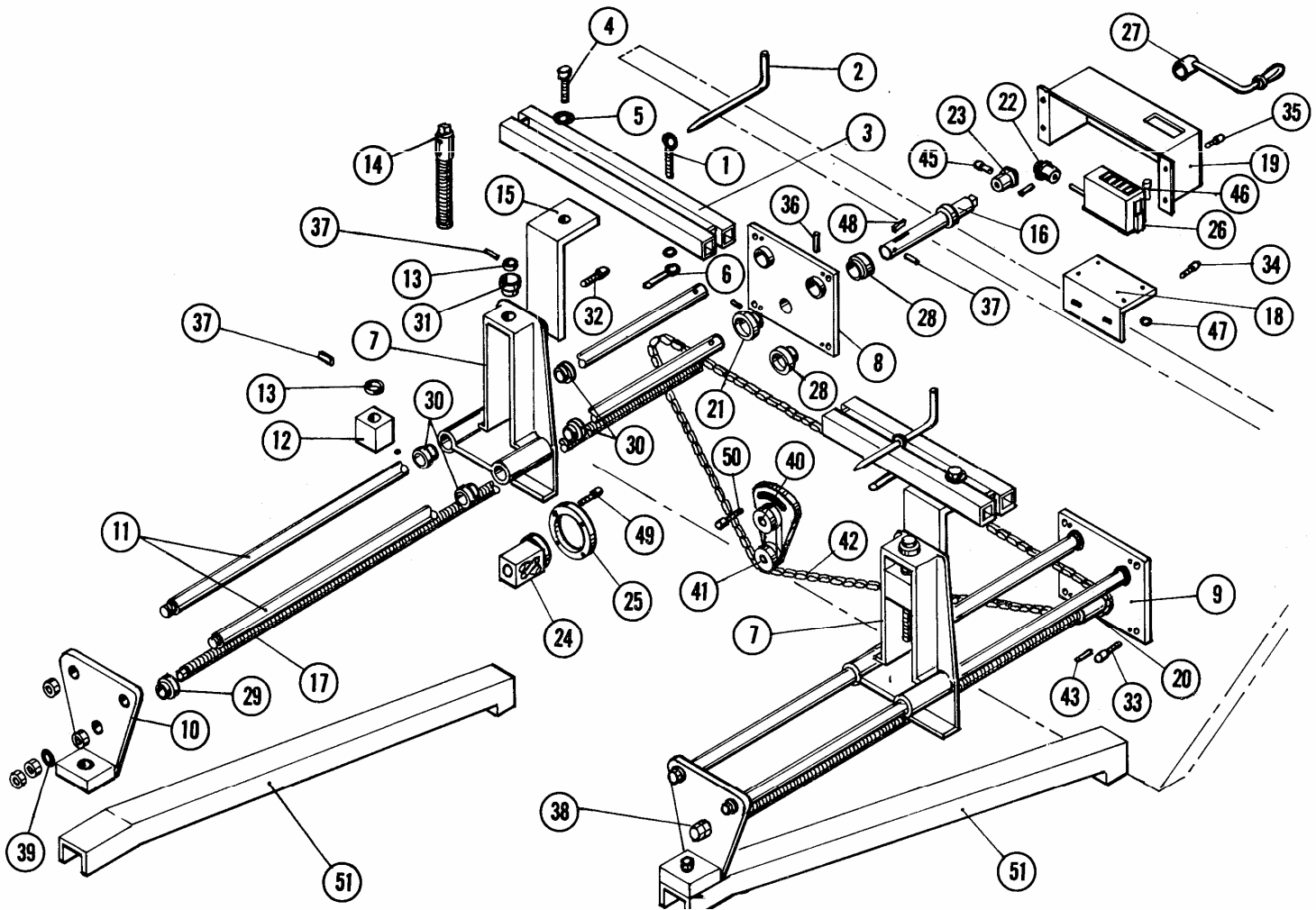


STANDARD BACK GAUGE

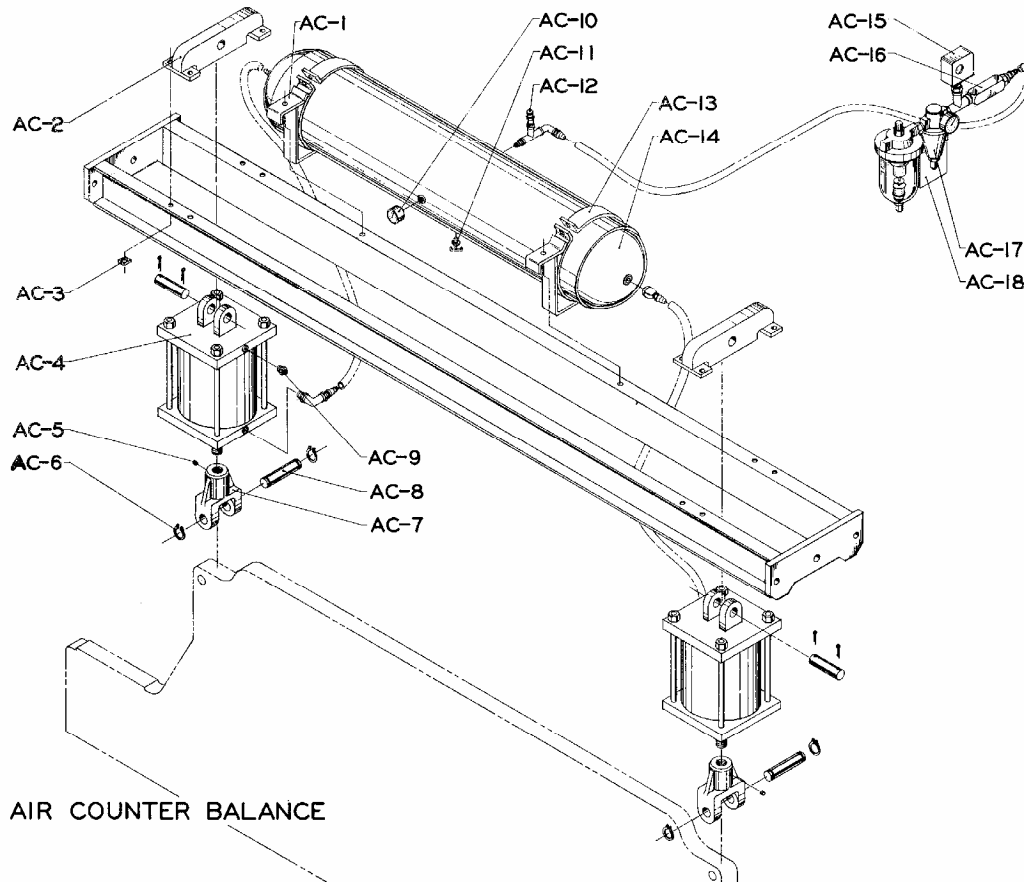


STANDARD BACK GAGE

FRONT OPERATED BACK GAUGE



AIR COUNTERBALANCE SYSTEM



AUTOMATIC LUBRICATION SYSTEM

