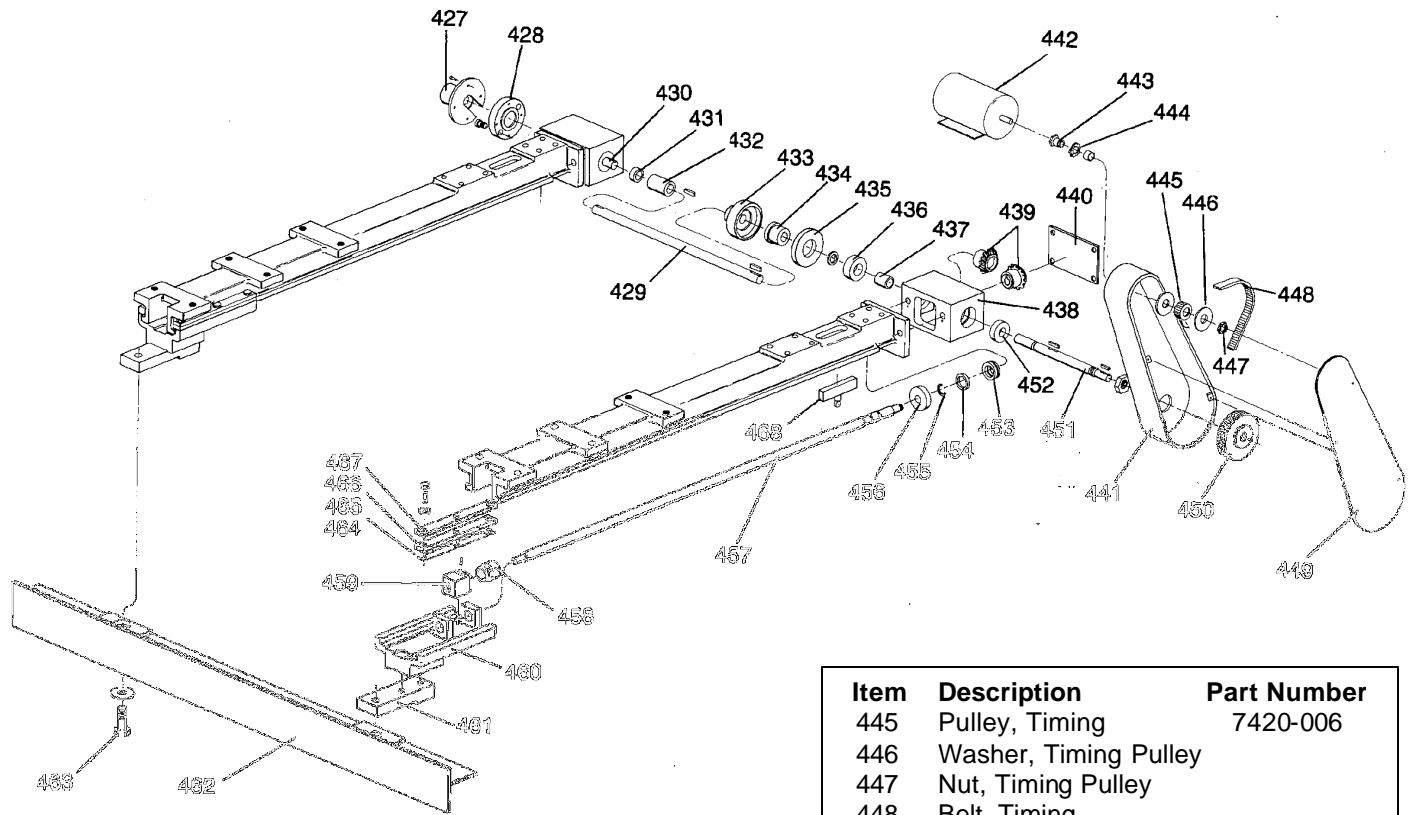


# CNC BACK GAUGE

## Page 1



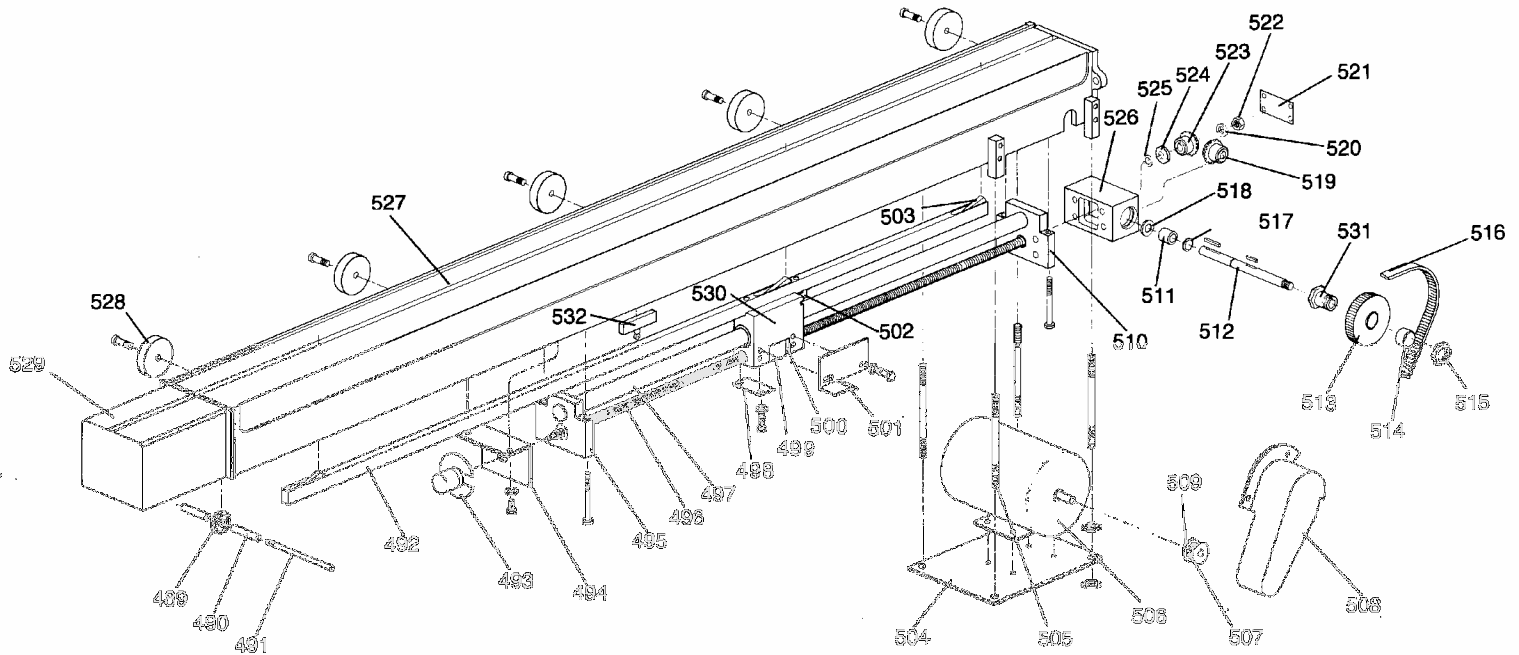
Item	Description	Part Number
427	Encoder	3900-001
428	Adapter, Encoder	7416-429
429	Cover, Cross Shaft (not shown)	7416-431
430	Shaft, Gear, LH	7416-432
431	Collar, Set	3302-013
432	Coupling, Cross Shaft	
433	Shoe, Clutch	7428-104
434	Drum, Clutch	7428-103
435	Ring, Locking	7428-105
436	Bearing	3178-699
437	Spacer, Miter Gear	
438	Housing, Miter Gear	7016-171
439	Screw, Miter Gear	7428-150/151 (7HS-113)
440	Cover, Miter Gear	
441	Guard, Belt	
442	Motor	
443	Hub, Timing Pulley	
444	Washer, Valve	

Item	Description	Part Number
445	Pulley, Timing	7420-006
446	Washer, Timing Pulley	
447	Nut, Timing Pulley	
448	Belt, Timing	
449	Plate, Belt Guard Front	
450	Pulley, Timing	
451	Shaft, Gear RH	7416-430
452	Bearing	3178-694
453	Bearing	
454	Spacer	
455	Ring, Retaining	
456	Washer, Rubber	
457	Screw, Slide	7HS-294
458	Driving, Nut (adjustable)	7H-201

Item	Description	Part Number
459	Driving, Nut (stationary)	7H-200
460	Slide	7H-178
461	Extension, Back Gage	7467-222
462	Gage, Back Stop	9FS-009
463	Screw, Shoulder	
464	Shim, .005	3328-478
465	Shim, .003	3328-477
466	Insert, Micarta	7041-108
467	Slide, Gib	7HS-137
468	Switch, Proximity	
469	Cover, Cross Shaft (not shown)	

# CNC Power Precision Squaring Arm

## Page 2

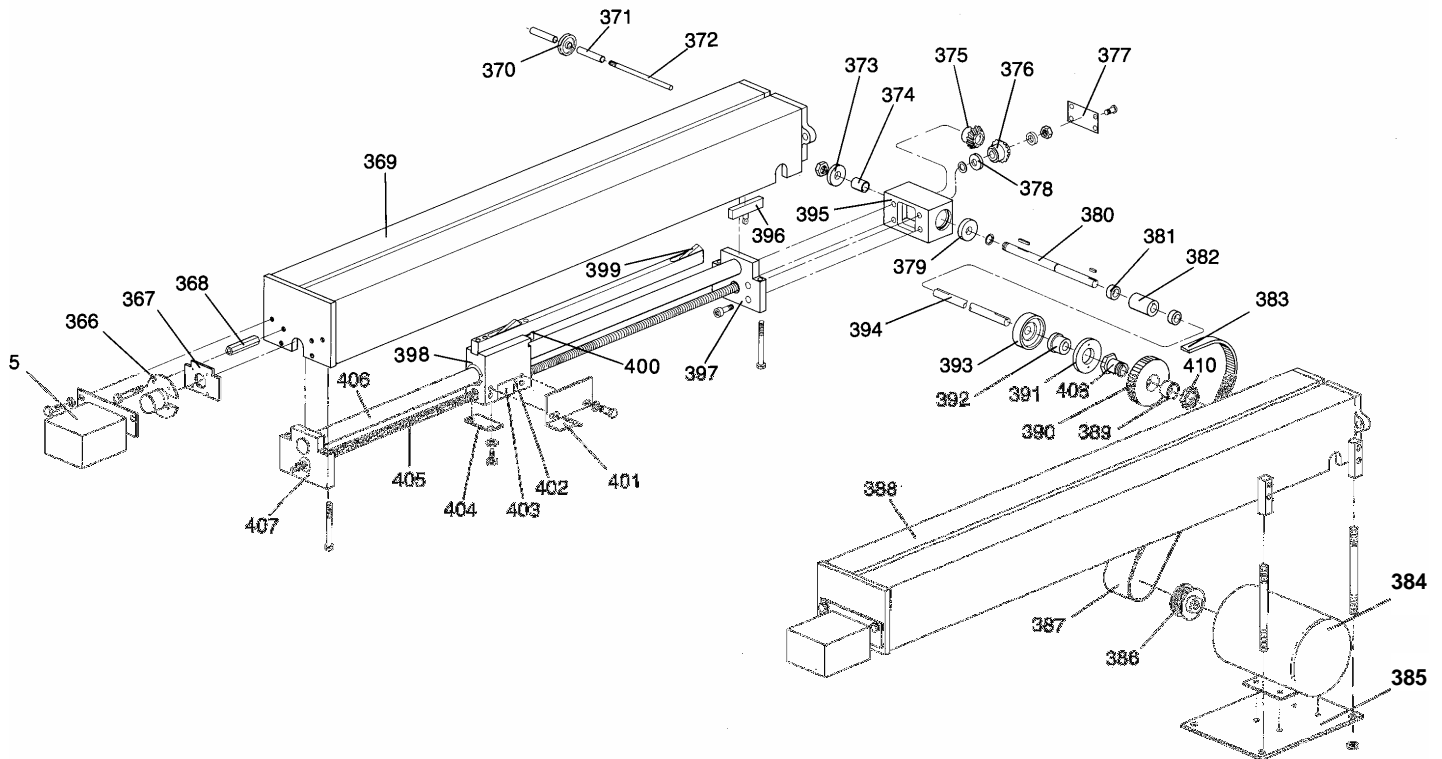


Item	Description	Part Number
489	Skate Wheel	3132-245
490	Spacer, Skate Wheel	7428-163
491	Screw, Hex	3308-012
492	Housing, Disappearing Stop	7428-307
493	Encoder	4103-411
494	Encoder, Bracket	7428-350
495	Block, Front Bearing	7428-328
496	Screw, Front	7428-327
497	Shaft, Thomson	0902-104
498	Keeper, Nut	7428-110
499	Nut, Drive (stationary)	7H-200
500	Nut, Drive (adjustable)	7H-201
501	Trip, proximity Switch	7428-348
502	Clamp, Disappearing Stop Housing	7428-112
503	Disappearing Stop	7428-335
504	Base, Front Gage Motor	7428-330
505	Rod, Drive Support	7428-289
506	Motor	4208-113
507	Pulley, Timing Belt	7428-135
508	Cover, Power Squaring Arm	7228-127
509	Washer, Timing Pulley	7428-301
510	Block, Rearing Bearing	7428-087

Item	Description	Part Number
511	Spacer, Miter Gear	7428-095
512	Shaft, Miter Gear	7428-265
513	Pulley, Timing – 36 Tooth	7428-329
514	Bushing	3120-344
515	Nut, Timing Pulley	7328-300
516	Belt, Timing	3413-040
517	Ring, Retaining	
518	Bearing	3178-699
519	Gear, Miter	7428-150
520	Spacer	
521	Cover, Housing	7428-094
522	Nut	
523	Gear, Miter	7428-151
524	Bearing	3178-692
525	Ring, Retaining	
526	Housing, Miter Gear	7028-072
527	Arm, Power Squaring	7728-098
528	Disk, Side Gauging	
529	Guard, Disappearing Stop Housing	7228-124
530	Housing, Disappearing Stop	7428-082
531	Hub, Timing Pulley	7428-299
532	Limit Switch	4110-305

# CNC Power Precision Front Gage

Page 3



Item	Description	Part Number
365	Cover, Encoder	7228-065
366	Encoder	4103-411
367	Plate, Encoder Mounting	7428-090
368	Post, Encoder Mounting	7428-349
369	Housing, Front Gage LH	7228-063
370	Wheel, Skate	3436-320
371	Spacer, Skate Wheel	7128-163
372	Screw, Hex	3308-012
373	Bearing	3178-699
374	Spacer, Miter Gear	7428-095
375	Gear, Miter	7428-150
376	Gear, Miter	7428-151
377	Cover, Miter	7428-094
378	Bearing	3178-692
379	Bearing	3178-699
380	Shaft, Miter Gear RH	7428-096
381	Collar, Set	3302-013
382	Coupling, Cross Shaft	7428-109
383	Belt, Timing	3414-040
384	Motor	
385	Base, Front Gage Motor	7428-330
386	Pulley, Timing	7428-135
387	Cover, Front Gage Timing Belt	7228-126
388	Housing, Front Gage RH	7228-062

Item	Description	Part Number
389	Bushing	3120-344
390	Pulley, Timing Belt	7428-329
391	Ring, Locking	7428-105
392	Drum, Clutch	7428-103
393	Shoe, Clutch	7428-104
394	Shaft, Cross	7428-116
395	Housing, Miter	7028-072
396	Switch, Proximity	4110-305
397	Block, Rear Bearing	7428-087
398	Housing, Disappearing	7428-306
399	Stop, Front	8170-023
400	Clamp, Disappearing	7428-112
401	Trip, Proximity	7428-348
402	Nut, Driving (adjusting)	7H-201
403	Nut, Driving (stationary)	7H-200
404	Keeper, Nut	7428-110
405	Screw, Front Gage	7428-327
406	Shaft, Thomson	0902-104
407	Block, Front Bearing	7428-328
408	Hub, Timing Pulley	7428-299
409	Bushing	
410	Nut, Timing	7428-300
411	Washer, Wave (not shown)	
412	Cover, Cross Shaft (not shown)	