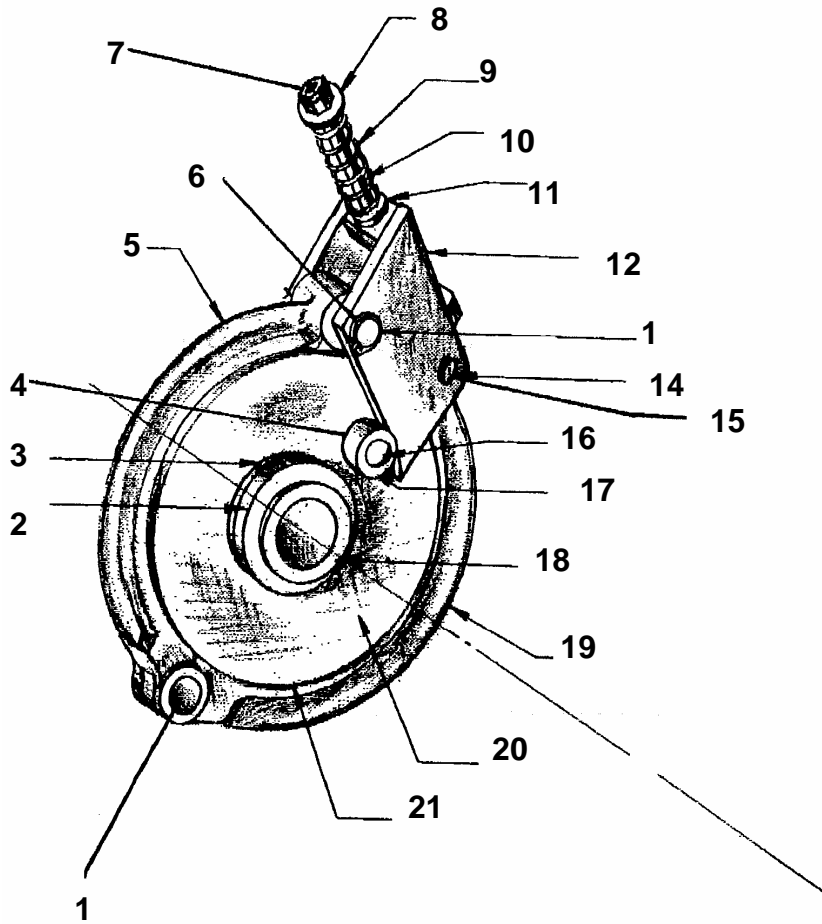


BRAKE ASSEMBLY FOR LATE MODEL SHEARS



| Item | Part Number | Description |
|------|-------------|-------------------------------|
| 1 | 0SS-008 | BRAKE STUD |
| 2 | 3346-022 | NUT |
| 3 | 3344-022 | WASHER |
| 4 | 7JS-100 | CAM ROLLER WASHER |
| 5 | | FEMALE BRAKE SHOE |
| 6 | 7JS-103 | WASHER |
| 7 | 3324-028 | 5/8 – 11 LOCK NUT |
| 8 | 3328-140 | TOP SPRING WASHER |
| 9 | 3504-290 | SPRING B-21 |
| 10 | S10S-076 | BRAKE SPRING STUD |
| 11 | 8HS-102 | SPRING SEAT |
| 12 | 7JS-106 | BRAKE CAM |
| 13 | 7JS-097 | BRAKE CAM PIVOT STUD |
| 14 | 7JS-109 | BRAKE CAM TIE ROD |
| 15 | 3324-026 | 1/2 – 13 LOCK NUT |
| 16 | 7JS-098 | CAM ROLLER STUD |
| 17 | 7JS-099 | BRAKE CAM ROLLER |
| 18 | 7JS-101 | BRAKE DRUM CLAMPING SLEEVE |
| 19 | 7367-007-ND | MALE & FEMALE BRAKE SHOE ASSY |
| 20 | S12-021 | BRAKE DRUM |
| 21 | 4540-015 | BRAKE LINING |