

H-40 TON ROTARY HYDRA-MECHANICAL PRESS BRAKE

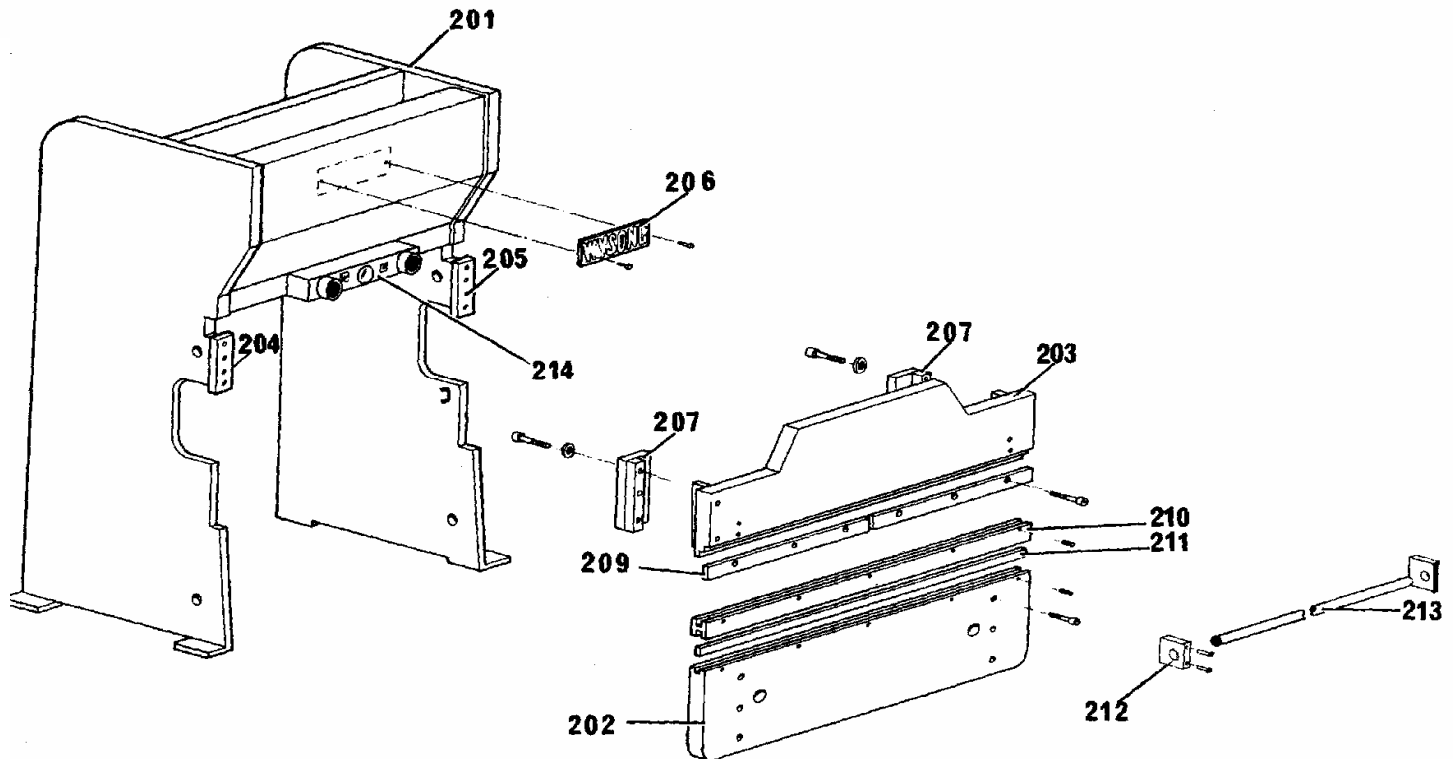
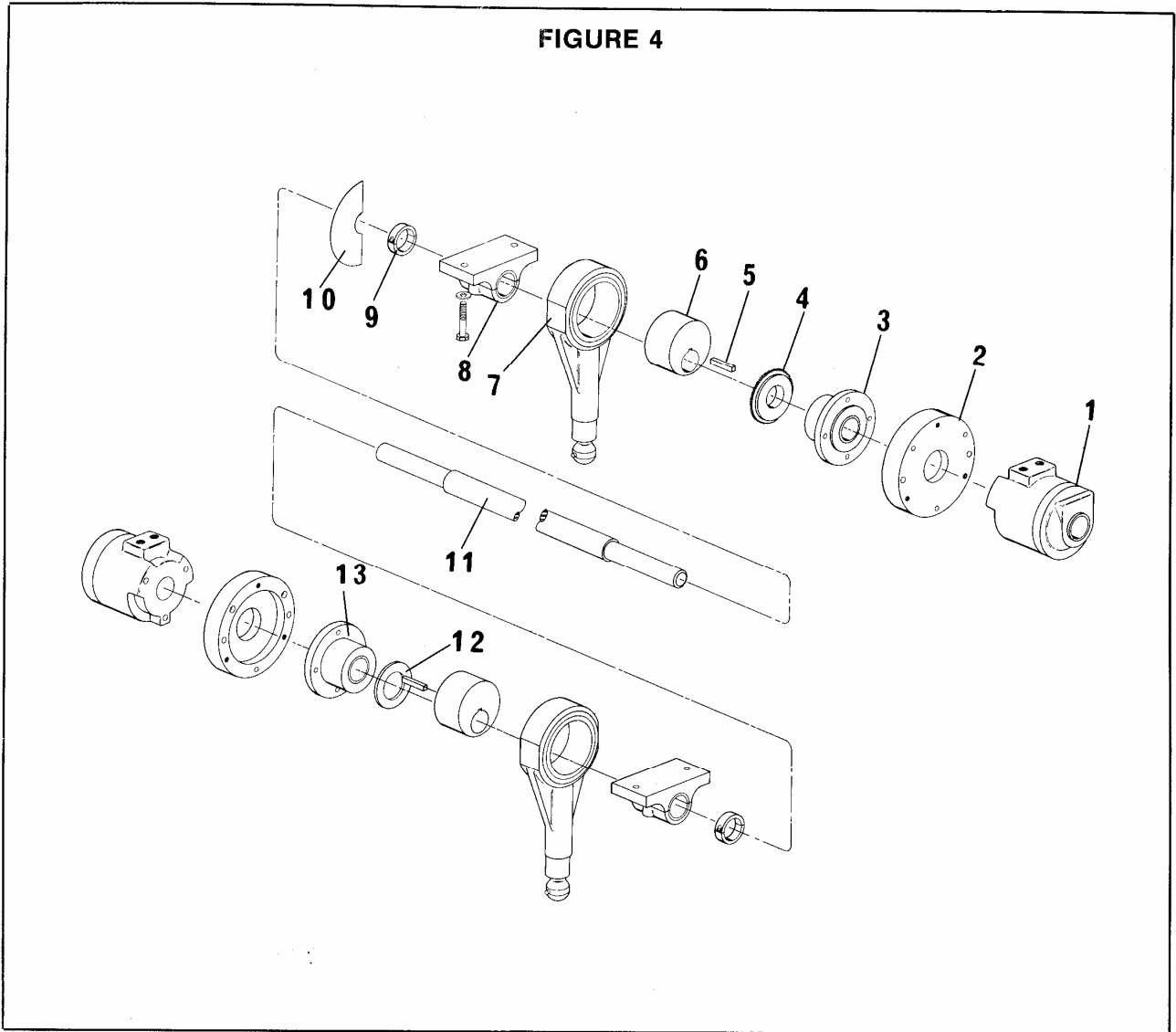


FIGURE 1 — FRAME ASSEMBLY

ITEM	QUANTITY	DESCRIPTION	PART NUMBER
201	1	Frame Weldment	
		Model H-3552	7235-304
		Model H-3572	7235-272
		Model H-3596	7235-272
		Model H-35120	7235-272
202	1	Bed	
		Model H-3552	7435-711
		Model H-3572	7435-299
		Model H-3596	7435-369
		Model H-35120	7435-648
203	1	Ram	
		Model H-3552	7235-305
		Model H-3572	7235-187
		Model H-3596	7235-188
		Model H-35120	7235-269
204	1	Way, Ram Left	7335-064
205	1	Way, Ram Right	7335-066
206	1	Nameplate Wysong	2205-286
207	2	Gibs	7435-655
209	1	Clamping Bar	
		Model H-3552	L-7435-330
		Model H-3552	R-7435-331
		Model H-3572	7135-029
		Model H-3596	7135-029
		Model H-35120	7135-029
210	1	Die Holder	
		Model H-3552	7435-333
		Model H-3572	7135-094
		Model H-3596	7135-095
		Model H-35120	7435-646
211	1	Key, Die Holder	
		Model H-3552	7435-395
		Model H-3572	7485-084
		Model H-3596	7485-084
		Model H-35120	7485-084
212	2	Bracket, Handrail	
		Model H-3552	7486-315
		Model H-3572	7486-315
		Model H-3596	7486-315
		Model H-35120	7486-315
213	1	Handrail	
		Model H-3552	7486-320
		Model H-3572	7486-321
		Model H-3596	7486-323
		Model H-35120	7486-325
214	1	Dual Palm Control Station (Standard)	41494-200 CH
		Dual Palm Control Station (Optional Ram ELEV.)	4194-1500 CH

DRIVE ASSEMBLY

FIGURE 4



DRIVE ASSEMBLY

ITEM	QUANTITY	DESCRIPTION	PART NUMBER
1	2	HS-15 Hyd. Rotary Actuator	3746-030
2	2	Actuator Adapter	7035-182
3	1	Eccentric Shaft Bearing - R.H.	7035-177
4	1	Stroke Adjust Driver Sprocket	7235-279
5	2	Eccentric Key	7435-675
6	2	Pitman Eccentric	7435-419
7	2	Pitman	7035-148
8	2	Split Bearing	3136-298
9	2	Collar	3302-234
10	1	Proximity Switch Trip	7435-685
11	1	Eccentric Shaft	7435-652
12	1	Eccentric Bearing Spacer	7435-730
13	1	Eccentric Shaft Bearing - L.H.	7035-180

HIGH-LO CYCLE ADJUSTMENT & STROKE LENGTH ADJUSTMENT

FIGURE 2

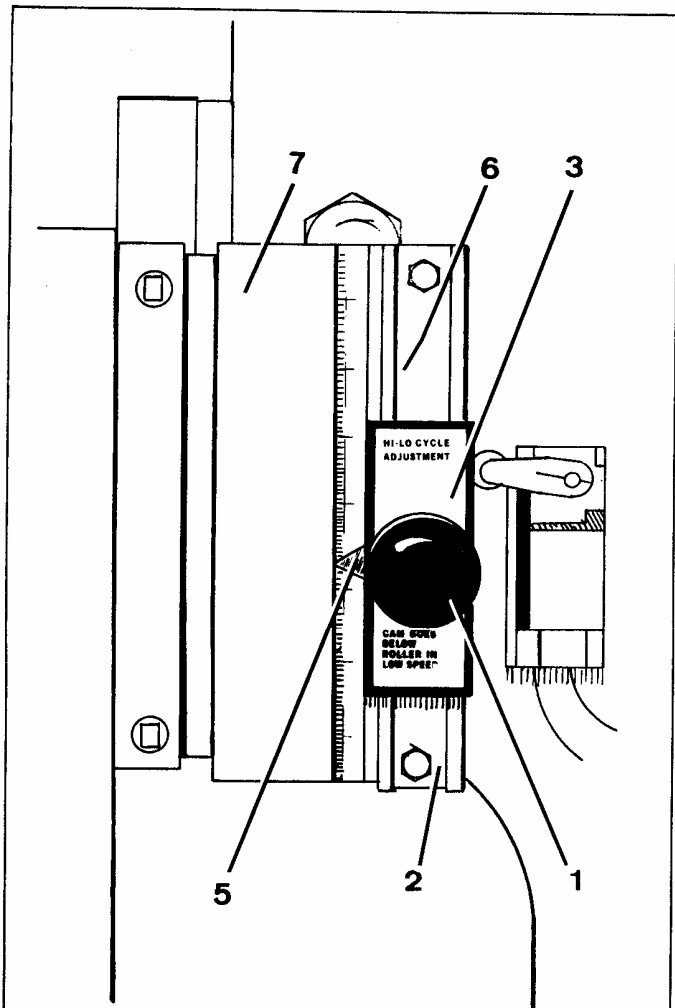


FIGURE 3

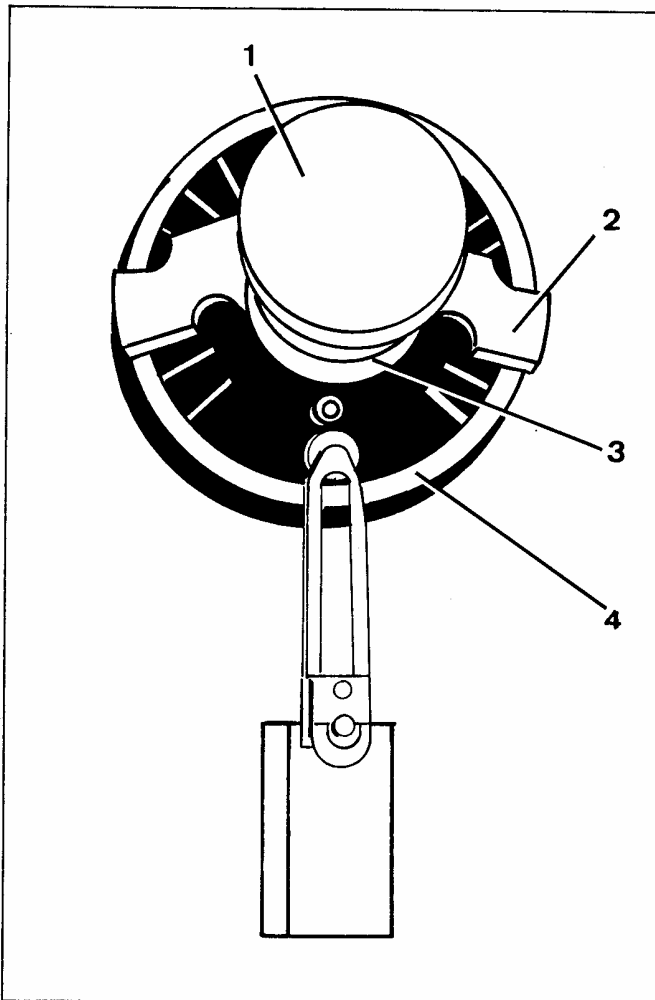


FIGURE 2 — HI-LO CYCLE ADJUSTMENT

ITEM	QUANTITY	DESCRIPTION	PART NUMBER
1	1	Knob	2203-008
2	1	Limit Trip Channel	7435-128
3	1	Limit Trip Plate	7435-748
4	1	Limit Trip Nut (not shown)	7485-309
5	1	Ram Adj. Pointer	7485-480
6	1	Ram Adj. Scale	7485-407
7	1	Angle Bracket	7235-175

FIGURE 3 — STROKE LENGTH ADJUSTMENT

ITEM	QUANTITY	DESCRIPTION	PART NUMBER
1	1	Knob	2203-016
2	2	Stroke Adj. Arm	7435-535
3	1	Stroke Adj. Cam Clamp	7435-660
4	1	Stroke Adj. Cam Hub	7435-664
5	1	Stroke Control Shaft (not shown)	7435-659
6	1	Driven Sprocket (not shown)	7435-665
7	1	Chain Sprocket (not shown)	3430-030
8	1	Drive Sprocket (not shown)	7135-708

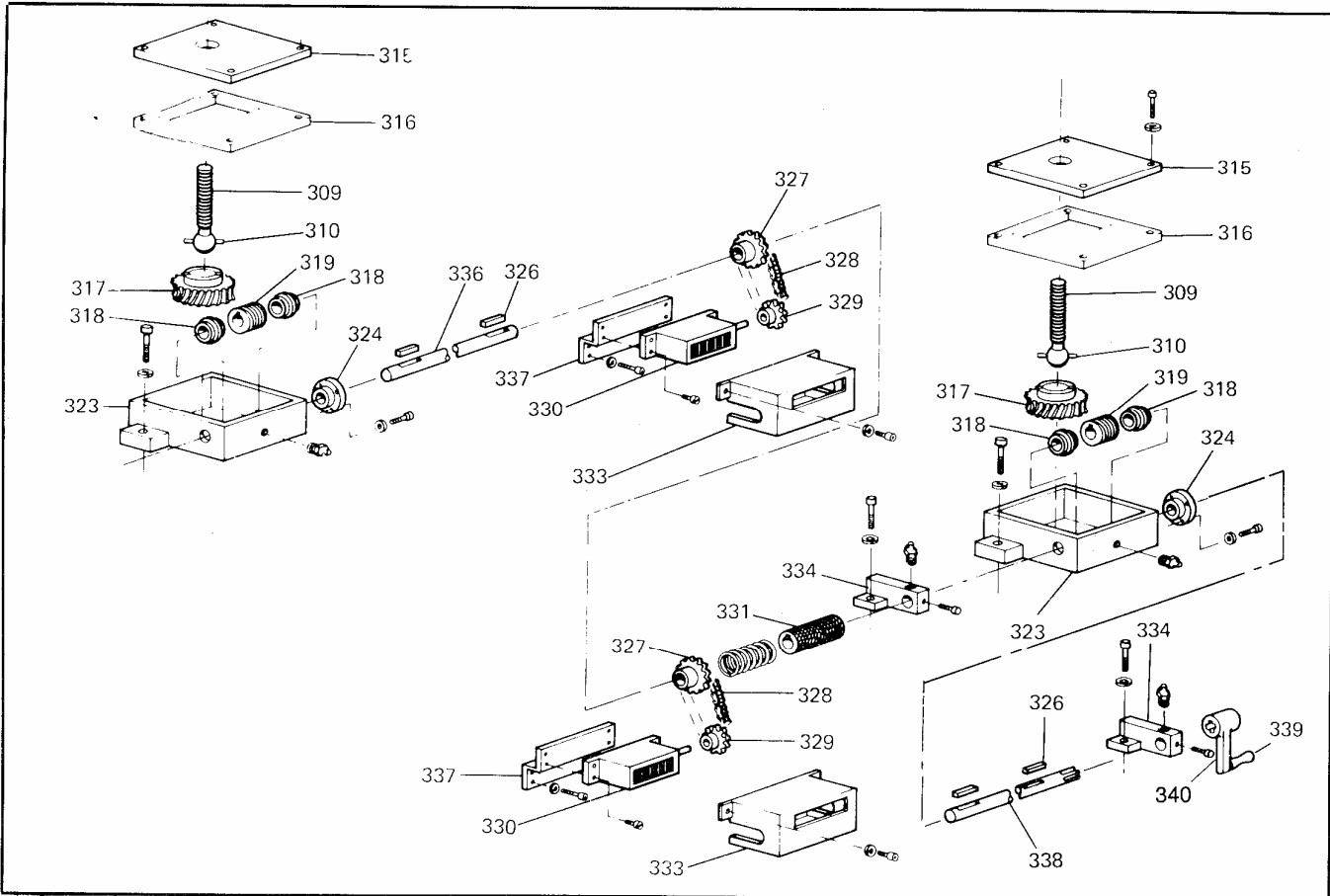


FIGURE 5 — RAM ELEVATION (HAND. STD.)

ITEM	QUANTITY	DESCRIPTION	PART NUMBER
309	2	Ram Adjustment Screw	7435-257
310	2	Pin	7435-258
315	2	Cover, Housing	7035-113
316	ASN	Shim, Nut Retainer .003	3328-336
	ASN	Shim, Nut, Retainer .005	3328-337
	ASN	Shim, Nut Retainer .0075	3328-338
	ASN	Shim, Nut, Retainer .010	3328-339
	ASN	Shim, Nut, Retainer	3328-340
317	2	Gear, Worm Ram Adj.	3436-764
318	4	Bearing, Thrust Ball	3102-005
319	2	Worm	3436-201
323	2	Housing Ram Adj.	7035-112
324	2	Cap, Housing Brg.	7035-019
326	2	Keys 3/16" Sq. x 3/4 Lg.	3301-421
	2	Keys 3/16" Sq. x 1 1/2 Lg.	3301-424
327	2	Sprocket, Elevation	7435-075
328	ASN	Chain #25	3430-030
329	2	Sprocket, Ram Adj.	7491-063
330	2	Counter	2201-240
331	1	Ram Adj. Coupling	7135-006
333	2	Cover Elevation Counter	7235-142
334	1	Bearing, Ram Adj. Lock	7035-004
	1	Bearing, Ram Adj. Shaft Lock	7035-066
336	1	Shaft, Left Manual Ram Adj.	7435-345
337	2	Bracker, Elevation Counter	7435-339
338	1	Shaft, Right Manual Ram Adj. (Model 3552)*	7435-337
339	1	Handle	2203-022
340	1	Crank	2203-035

*Model 3572 — #7435-347 Model 3596 - #7435-370

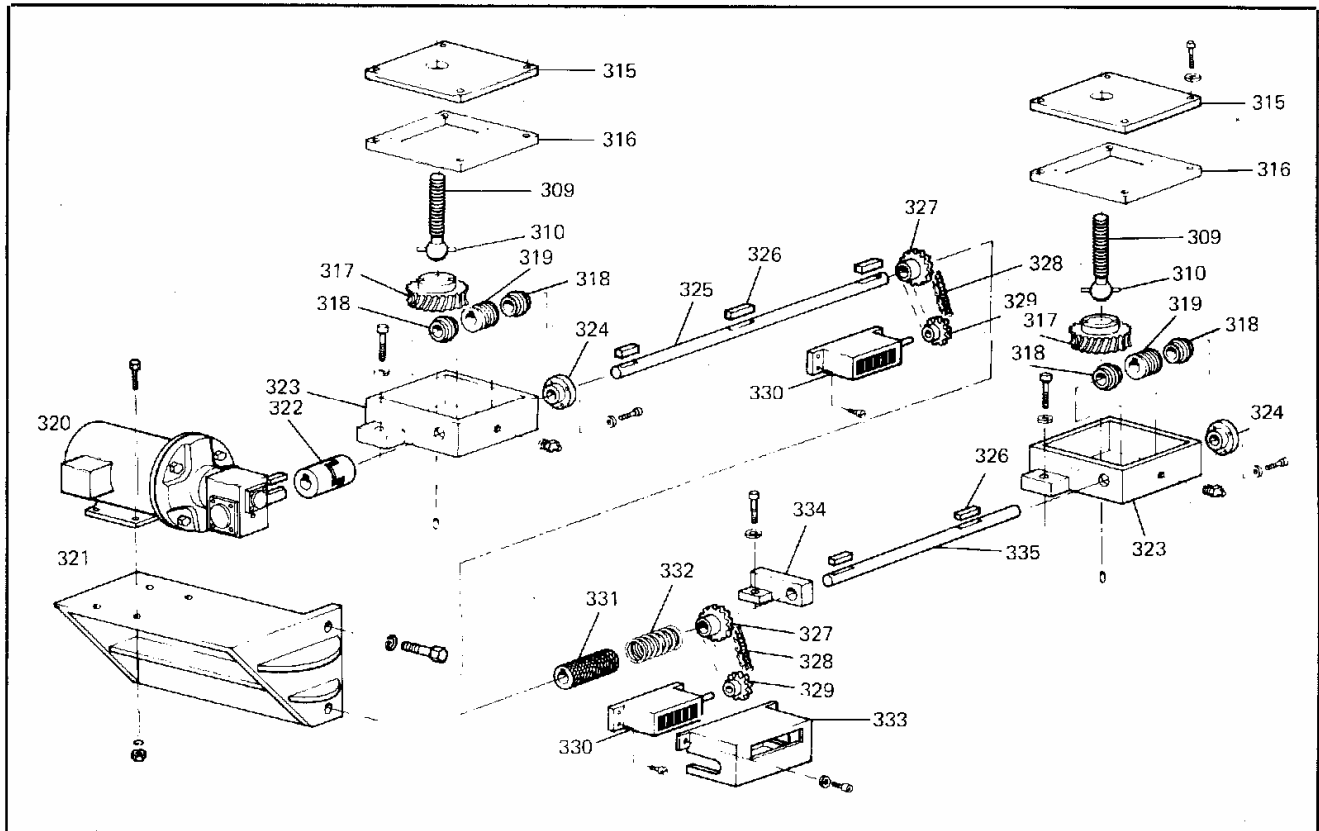


FIGURE 6 — POWER RAM ELEVATION (OPTIONAL)

ITEM	QUANTITY	DESCRIPTION	PART NUMBER
309	2	Ram Adj. Screw	7435-257
310	2	Pin	7435-258
315	2	Cover, Housing	7035-113
316	ASN	Shim, Nut retainer .003	3328-336
	ASN	Shim, Nut Retainer .005	3328-337
	ASN	Shim, Nut Retainer .0075	3328-338
	ASN	Shim, Nut Retainer .010	3328-339
	ASN	Shim, Nut Retainer .020	3328-340
317	2	Gear, Worm, Ram Adj.	3436-764
318	4	Bearing, Thrust Ball	3102-005
319	2	Worm	3436-201
320	1	Motor 1/2HP 1800 RPM	4408-014
	1	Reducer Motor	3436-111
321	1	Base, Ram Adj. Motor	7035-067
322	1	Coupling	3428-030
323	2	Housing, Ram Adj.	7035-112
324	2	Cap. Housing Brg.	7035-019
325	1	Shaft, Left Power Ram Adj. (Model 3552)*	7435-377
326	2	Keys 3/16" Sq. x 3/4 Lg.	3301-421
	2	Keys 3/16" Sq. x 1 1/2 Lg.	3301-424
327	2	Sprocket, Elevation	7435-075
328	ASN	Chain #25	3430-030
329	2	Sprocket, Ram Adj. Indicator	7491-063
330	2	Counter	2201-240
331	1	Ram Adj. Coupling	7135-006
332	1	Spring	3504-107
333	2	Cover Elevation Counter	7235-142
334		Not Used	
335	1	Shaft, Right Power Ram Adj.	7435-397
337	2	Bracket, Elevation Counter	7435-339

MANUAL BACK GAUGE

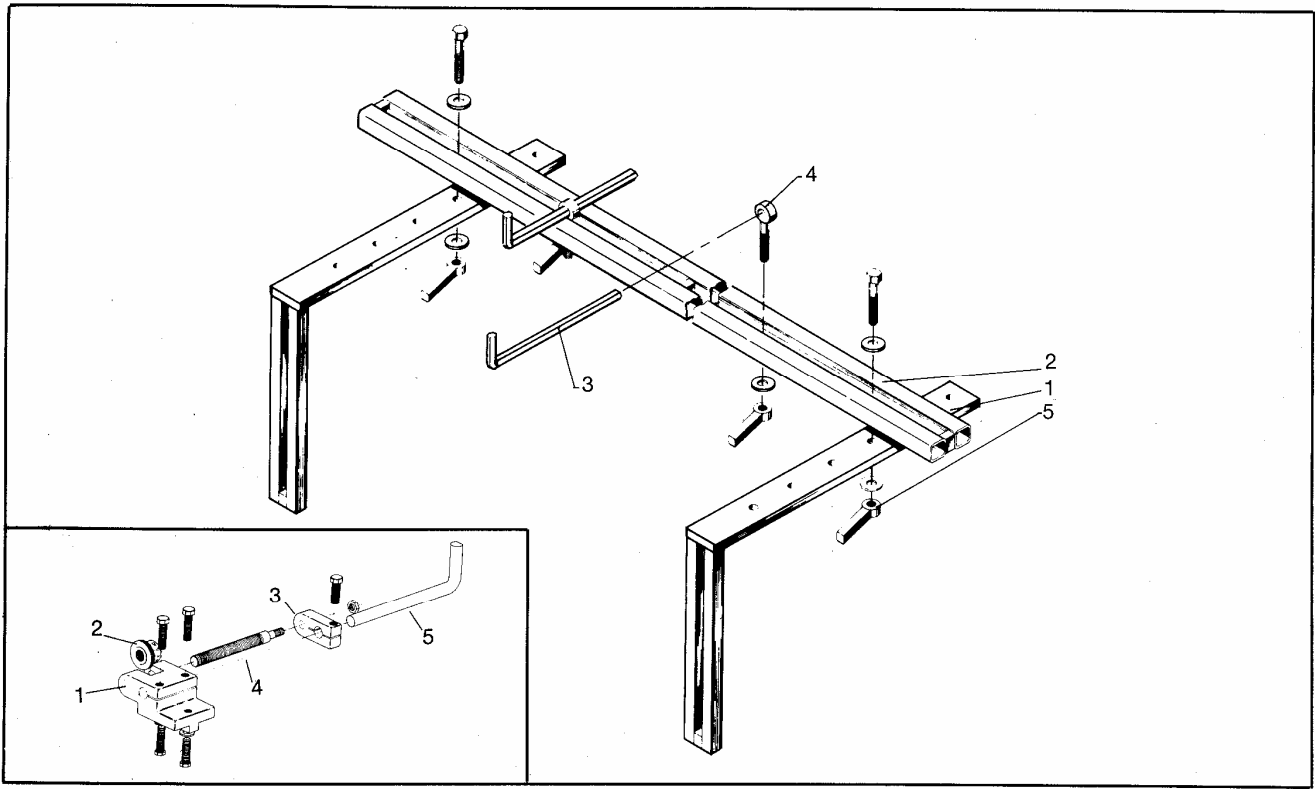


FIGURE 7 — STANDARD BACK GAUGE

ITEM	QUANTITY	DESCRIPTION	PART NUMBER
1	2	Bracket, Back Gauge	7135-086
2	1	Bar, Back Gauge Finger	7235-182
3	2	Finger, Back Gauge	7135-087
4	2	Eyebolts	3337-225
5	2	Handle, Nut	3356-020
	2	Micrometer Stop Assembly	7335-090-ND

MICROMETER STOP ASSEMBLY

ITEM	QUANTITY	DESCRIPTION	PART NUMBER
1	1	Housing, Micrometer Adjusting	7035-186
2	1	Knob-B.G. Micro Adj.	7435-631
3	1	Block-Micro Clamp	7435-633
4	1	Screw-Micro Adj.	7435-632
5	1	Rod-Gage	7435-629

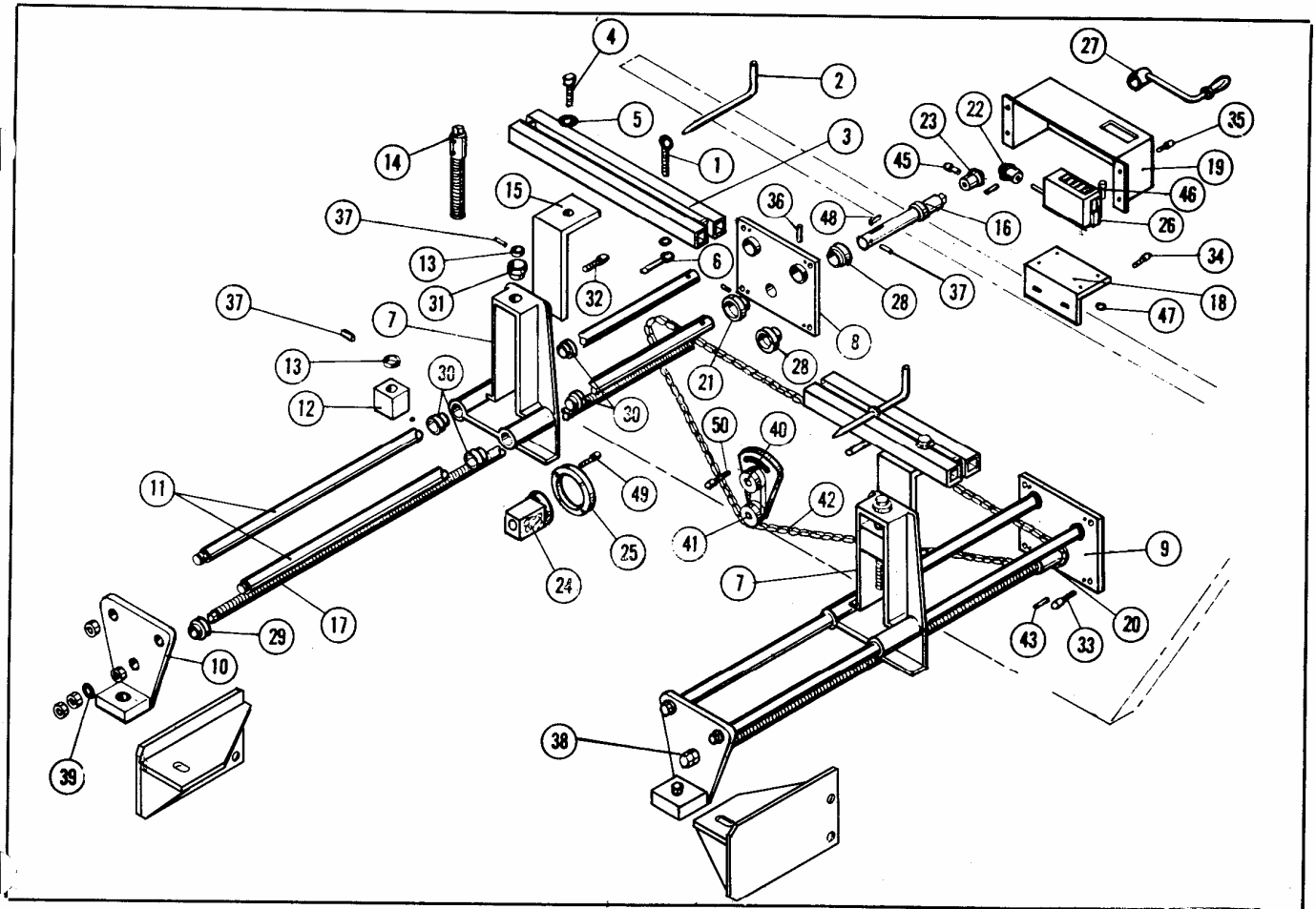


FIGURE 8 — PRECISION FRONT OPERATED BACK GAUGE

ITEM	QUANTITY	DESCRIPTION	PART NUMBER
1	4	Eyebolts	7185-191
2	4	Finger Back Gauge	7185-152
3	1	Bar, Back Gauge Finger	7235-182
4		Hex Hd. Cap Screw	
5		Flat Washer	
6	4	Nut Handle	3356-020
7	2	carrier, Back Gauge Stop	7085-068
8	1	Mounting Plate R.H.	7085-434
9	1	Mounting Plate L.H.	7085-070
10	2	Bearing Plate	7085-071
11	4	Guide Rod	7185-339
12	2	Slide Block	7185-340
13	6	Collars	3302-013
14	2	Elevation Screw	7185-342
15	2	Bracket, Back Gauge	7185-343
16	1	Stub Shaft Long	7435-256
17	1	Screw, R.H.	3356-375
	1	Screw L.H.	3356-377
18	1	Counter, Mounting Bracket	7185-352
19	1	Counter, Cover	7085-072
20			
21	2	Sprocket	7185-354
22	1	Counter Gear	3436-001
23	1	Counter Gear	3436-003
24	2	Nut Back Gauge	3356-750

(continued next page)

FRONT OPERATED BACK GAUGE

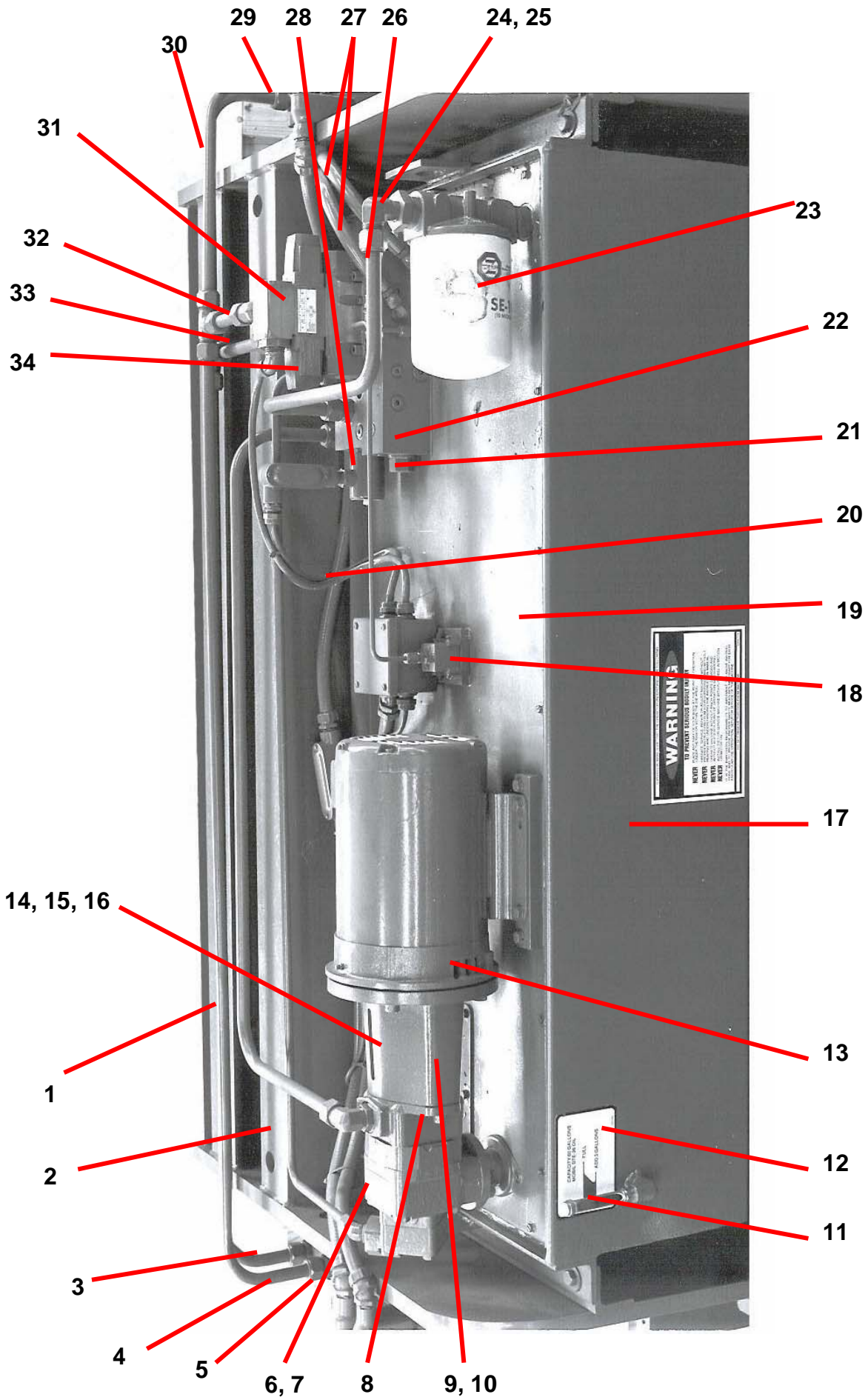
ITEM	QUANTITY	DESCRIPTION	PART NUMBER
26	1	Counter	2201-230
27	1	Crank Handle	2203-022
28	3	Bearing	3132-057
29	2	Bushing, Bronze	3121-067
30	8	Bushing, Bronze	3120-288
31	2	Bushing, Bronze	3121-070
31A	2	Bushing, Bronze	3121-053
32	4	Hex Hd. Cap Screw	
33	8	Hex Hd. Cap Screw	
34	2	Hex Hd. Cap Screw	
35	4	Soc. Hd. Cap Screw	
36	4	Roll Pin	
37	6	Roll Pins	
38	2	Nut $\frac{3}{8}$ Lock	3324-028
39	2	Thrust, Washer	3105-116
40	1	Drive Tensioner	3412-300
41	1	Sprocket	3412-250
42	CTL	Chain $\frac{3}{8}$ Pitch #35	3430-035
	1	Link, Chain Connection	3430-235
43	8	Socket Hd. Set Screws	
44	1	Socket Hd. Set Screws	
45	1	Socket Hd. Set Screws	
46	4	Socket Hd. Set Screws	
47	4	Nuts	
48	2	Keys	
49	3	Socket Hd. Cap Screws	
50	2	Hex hd. Cap Screws	
51	1	Bracket R.H. Support	7235-179
51	1	Bracket L.H. Support	7235-180
52*	1	Counter, Gear Coleit	7185-356
53*	2	Wrench, Ratchet	5093-593
		Micrometer Stop Assembly (Shown on page 20)	7335-090-ND

*Parts not illustrated

HYDRAULIC GROUP

ITEM	QUANTITY	DESCRIPTION	PART NUMBER
1	1	Low Pressure Pump Line Assembly	
		Model H-3552	STD-660-ND
		Model H-3572	STD-667-ND
		Model H-3596	STD-667-ND
		Model H-35120	STD-667-ND
2	1	High Pressure Pump Line Assembly	
		Model H-3552	STD-659-ND
		Model H-3572	STD-666-ND
		Model H-3596	STD-666-ND
		Model H-35120	STD-666-ND
3	1	Tube Assembly (Front R.H.)	
		Model H-3552	3859-826
		Model H-3572	3859-801
		Model H-3596	3859-801
		Model H-35120	3859-801
4	1	Tube Assembly (Rear R.H.)	
		Model H-3552	3859-825
		Model H-3572	3859-803
		Model H-3596	3859-803
		Model H-35120	3859-803
5	2	Rotary Actuator,	3746-030

Continued page 23



HYDRAULIC GROUP (continued)

ITEM	QUANTITY	DESCRIPTION	PART NUMBER
6	1	Pump	3257-113
7	1	Suction Filter (Not Shown)	3764-315
8	1	Pump Flange	3257-069
9	1	Tank Access Cover	7435-679
10	1	Breather, Filter (Not Shown)	3202-100
11	1	Sight Level Gauge	3205-115
12	1	Nameplate, Oil Level	
		Model H-3552	2205-307
		Model H-3572	2205-308
		Model H-3596	2205-308
		Model H-35120	2205-308
13	1	Motor	4420-013
14	1	Motor Coupling (Not Shown)	3428-207
15	1	Pump Coupling (Not Shown)	3428-208
16	1	Insert Coupling (Not Shown)	3428-209
17	1	Tank Assembly	
		Model H-3552	7235-288
		Model H-3572	7235-289
		Model H-3596	7235-289
		Model H-35120	7235-289
18	1	Pressure Switch	4166-084
19	1	Tank Top	
		Model H-3552	7435-676
		Model H-3572	7435-677
		Model H-3596	7435-677
		Model H-35120	7435-677
20	1	Pressure Switch Line Assembly	
		Model H-3552	STD-662-ND
		Model H-3572	STD-669-ND
		Model H-3596	STD-669-ND
		Model H-35120	STD-669-ND
21	1	4 PSI Check Valve	3755-388
22	1	Manifold	3773-621
23	1	Return Filter	3764-318
24	1	Sequence Valve (Not Shown)	3759-359
25	3	Relief Valve (Not Shown)	3762-298
26	1	Return Filter Line Assembly	
		Model H-3552	STD-661-ND
		Model H-3572	STD-668-ND
		Model H-3596	STD-668-ND
		Model H-35120	STD-668-ND
27	2	Hose, Speed Control	3898-115
28	1	2-Way Valve	3749-105
29	1	Tube Assembly (Front L.H.)	3859-800
30	1	Tube Assembly (Rear L.H.)	3859-802
31	1	4-Way Valve	3753-505
32	1	Tube Assembly	3859-821
33	1	Tube Assembly	3859-822
34	1	75 PSI Check Valve (Not Shown)	3755-385