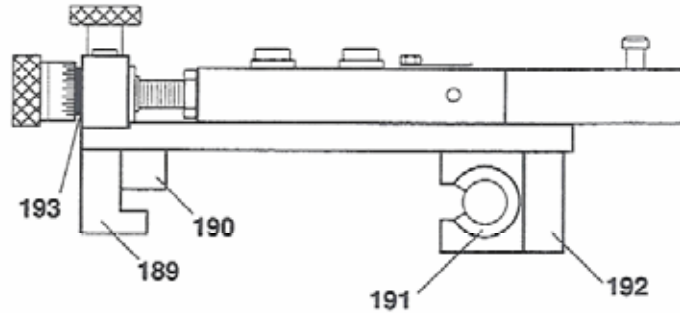
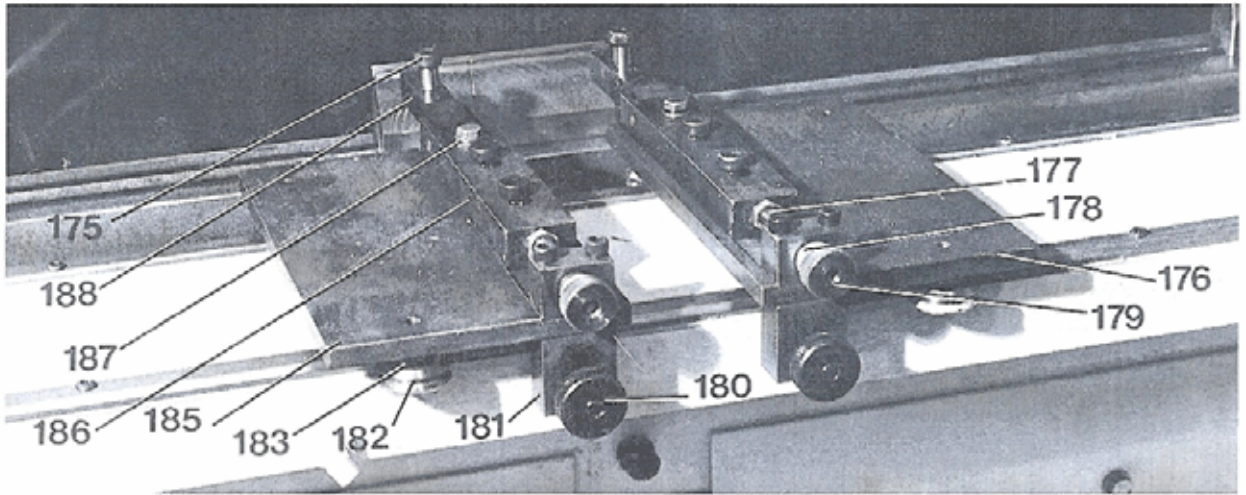


PH PRESS BRAKES

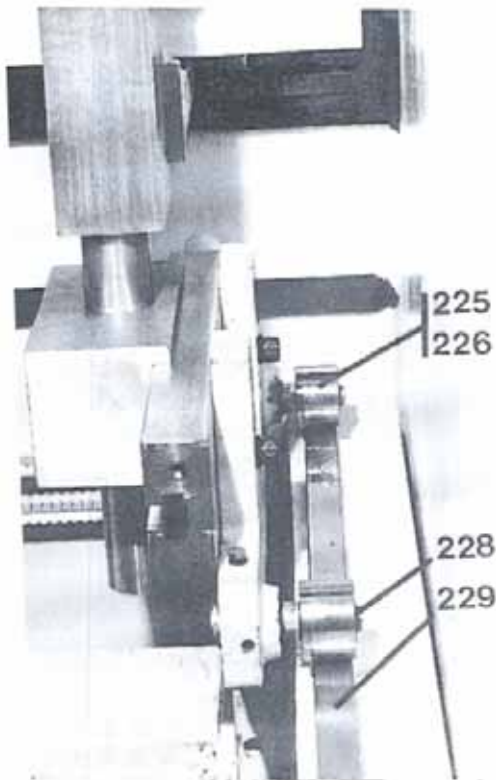
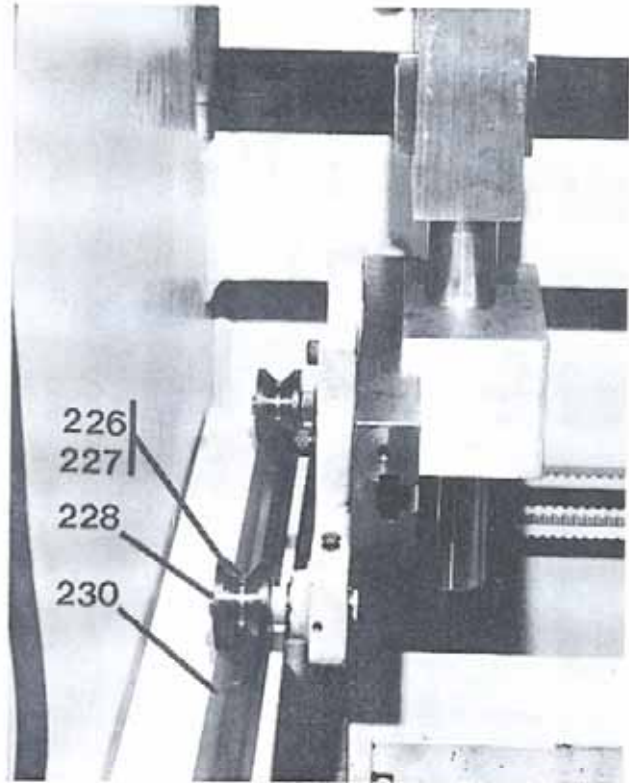
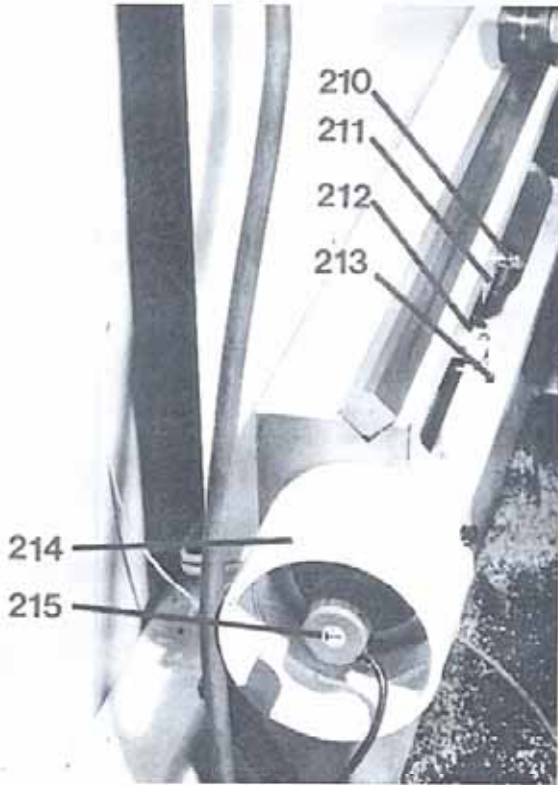
600 SERIES BACK GAUGE



| ITEM NO. | DESCRIPTION | All PH Series | |
|----------|---------------------------------|---------------------|-------------|
| | | 60 Ton Thru 250 Ton | PH400 Ton |
| | Assembly, RH Finger | 7386-038-ND | 7386-040-ND |
| | Assembly, LH Finger | 7386-039-ND | 7386-040-ND |
| 175 | Screw, Shoulder | 3307-221 | 3307-221 |
| 176 | Plate, Finger Mtg. - LH | 7486-743 | 7486-770 |
| 177 | Screw, Finger Adj. | 7486-746 | 7486-763 |
| 178 | Scale, Finger Adj. | 2205-412 | 2201-107 |
| 179 | Nut, Finger Adj. | 7486-741 | 7486-764 |
| 180 | Knob | 2203-050 | 2203-786 |
| 181 | Block, Horizontal Locking | 7486-742 | |
| 182 | Wheel, Vee | 2203-707 | |
| 183 | Bushing, Adjustable | 2203-731 | |
| 183A | Bushing, Stationary (Not Shown) | 2203-736 | |
| 184 | Block, Finger Adj. | 7486-747 | 7486-767 |
| 185 | Plate, Finger Mtg. - RH | 7486-749 | 7486-770 |
| 186 | Housing, Finger | 7486-745 | 7486-765 |
| 187 | Spring, Flat Finger | 7486-734 | 7486-734 |
| 188 | Finger, Back Gage | 7486-748 | 7486-766 |
| 189 | Block, Finger Locking | | 7486-768 |
| 190 | Slide, Micarta | | 7041-319 |
| 191 | Bearing, Linear | | 3132-425 |
| 192 | Block, Linear Bearing | | 7486-771 |
| 193 | Washer, Wave | | 3520-338 |

PH PRESS BRAKES

600 SERIES BACK GAUGE

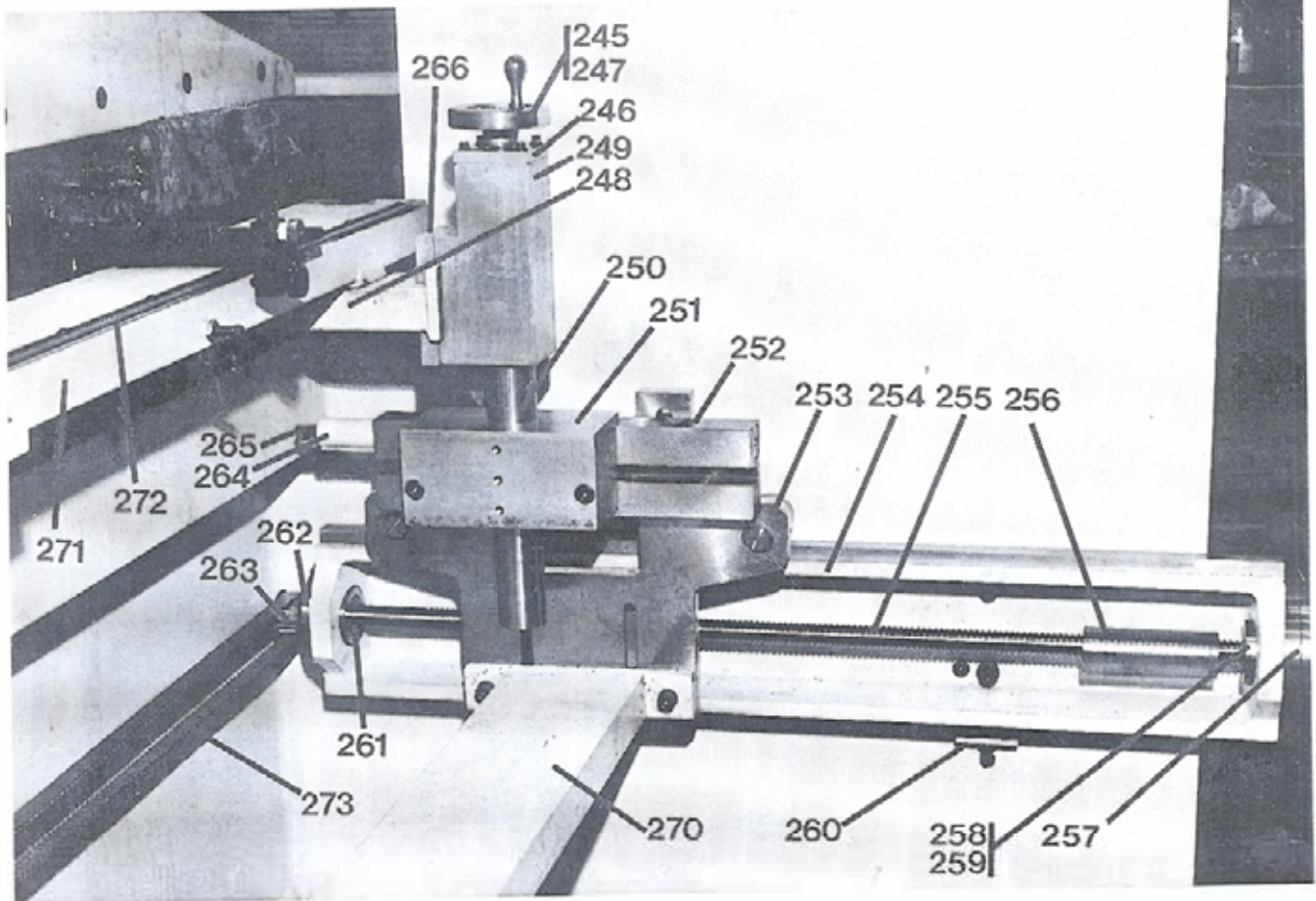


| ITEM NO. | DESCRIPTION | ALL PH SERIES |
|----------|-----------------------------|---------------|
| 210 | Switch, Limit | 4110-023 |
| 211 | Bracket, Calibration Switch | 7445-117 |
| 212 | Bracket, Rear Limit Switch | 7437-656 |
| | Bracket, Front Limit Switch | 7437-657 |
| 213 | Switch, Limit | 4110-043 |
| 214 | Cover, Encoder | 7416-357 |
| 215 | Encoder, Rotary | 3900-026 |

| ITEM NO. | DESCRIPTION | ALL PH SERIES |
|----------|-------------------------|---------------|
| 225 | Roller, Flat | 7486-605 |
| 226 | Bearing, Roller | 3178-692 |
| 227 | Roller, Vee | 7486-606 |
| 228 | Shaft, Top Roller | 7486-607 |
| 229 | Bar, Flat Rail 21"Range | 7486-586 |
| | Bar, Flat Rail 40"Range | 7486-712 |
| 230 | Bar, Vee Rail 21"Range | 7486-790 |
| | Bar, Vee Rail 40"Range | 7486-711 |

PH PRESS BRAKES

600 SERIES BACK GAUGE



| ITEM NO. | DESCRIPTION | All PH SERIES |
|----------|-----------------------------|---------------|
| 245 | Handwheel | 7486-493 |
| 246 | Cap, Block | 7486-504 |
| 247 | Screw, Vertical (Not Shown) | 7486-487 |
| 248 | Bracket, Channel Mounting | 7286-314 |
| 249 | Block, Vertical Adj. | 7486-503 |
| 250 | Tube, Vertical Adj. | 7386-025 |
| 251 | Block, Lower | 7486-780 |
| 252 | Bar, T-Slot | 7486-779 |
| 253 | Saddle, Back Gage | 7086-061 |
| 254 | Rail, LH 21" Range | 7086-066 |
| | Rail, RH 21" Range | 7086-065 |
| | Rail, LH 40" Range | 7086-064 |
| | Rail, RH 40" Range | 7086-063 |
| 255 | Screw, BG Drive, 21" Rg. | 3358-128 |
| | Screw, BG Drive, 40" Rg. | 3358-130 |
| 256 | Stop, Screw | 6492-121 |
| 257 | Cover, End - LH Rail | 7486-588 |
| 258 | Base, Encoder | 7486-643 |
| 259 | Bearing, Roller | 3178-694 |
| 260 | Block, Leveling | 7486-633 |
| 261 | Bearing, Roller | 3178-699 |
| 262 | Adapter, Screw | 7486-632 |
| 263 | Pulley, Screw | 7486-624 |
| 264 | Stop, Front | 7486-666 |
| 265 | Bumper, Front | 4540-264 |
| 266 | Clamp, Channel Mtg. | 7486-756 |

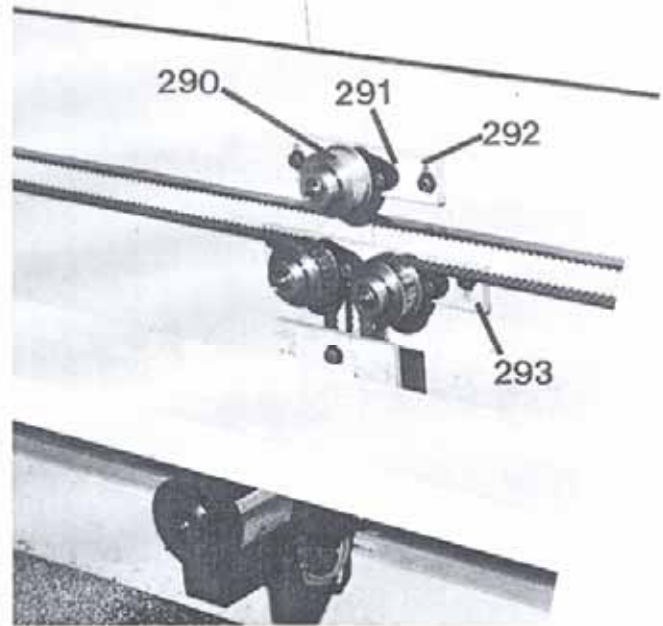
PH PRESS BRAKES

600 SERIES BACK GAUGE

All PH Models-60 Ton Thru 250 Ton**

| ITEM NO. | DESCRIPTION | PH **-72 | PH **-96 | PH **-120 | PH **-144 | PH **-168 | PH 400-168 |
|----------|----------------------------|----------|----------|-----------|-----------|-----------|------------|
| 270 | Beam, B/G Cross Support | 7286-282 | 7286-283 | 7286-284 | 7286-285 | 7286-300 | 7286-300 |
| 271 | Channel, Finger Mtg. Cross | 7286-311 | 7286-326 | 7286-325 | 7286-324 | 7286-323 | 7286-318 |
| 272 | Track, Cross Channel | 7486-750 | 7486-752 | 7486-751 | 7486-750 | 7486-752 | 7486-773 |
| 273 | Belt, Timing | 3413-175 | 3413-180 | 3413-182 | 3413-191 | 3413-216 | 3413-216 |

| ITEM NO. | DESCRIPTION | All PH Series |
|----------|-------------------|---------------|
| 290 | Roller, Belt | 7486-622 |
| 291 | Tensioner, Pulley | 3412-305 |
| 292 | Pad, Idler Mtg. | 7486-598 |
| 293 | Pad, Idler Mtg. | 7486-623 |



| ITEM NO. | DESCRIPTION | All PH Series |
|----------|-----------------------|---------------|
| 300 | Motor, Back Gage | 4450-025 |
| 301 | Base, Motor | 7486-795 |
| 302 | Standoff | 7486-794 |
| 303 | Nut, Timing Pulley | 7428-300 |
| 304 | Washer, Timing Pulley | 7428-301 |
| 305 | Pulley, Timing Pulley | 7437-631 |
| 306 | Hub, Timing Pulley | 7486-796 |

