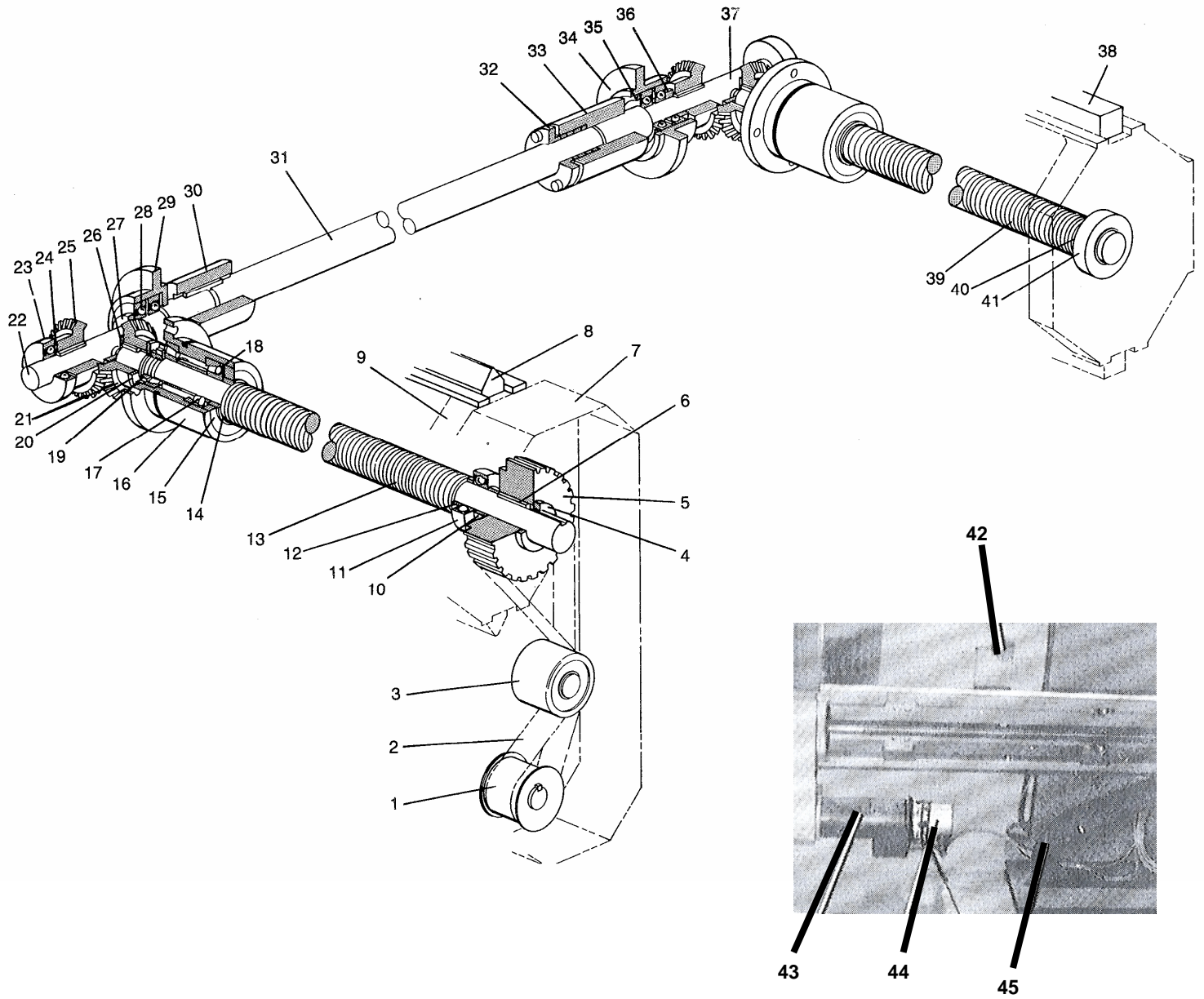


# RT4 SERIES PRESS BRAKES BACK GAUGE RAIL ASSEMBLY

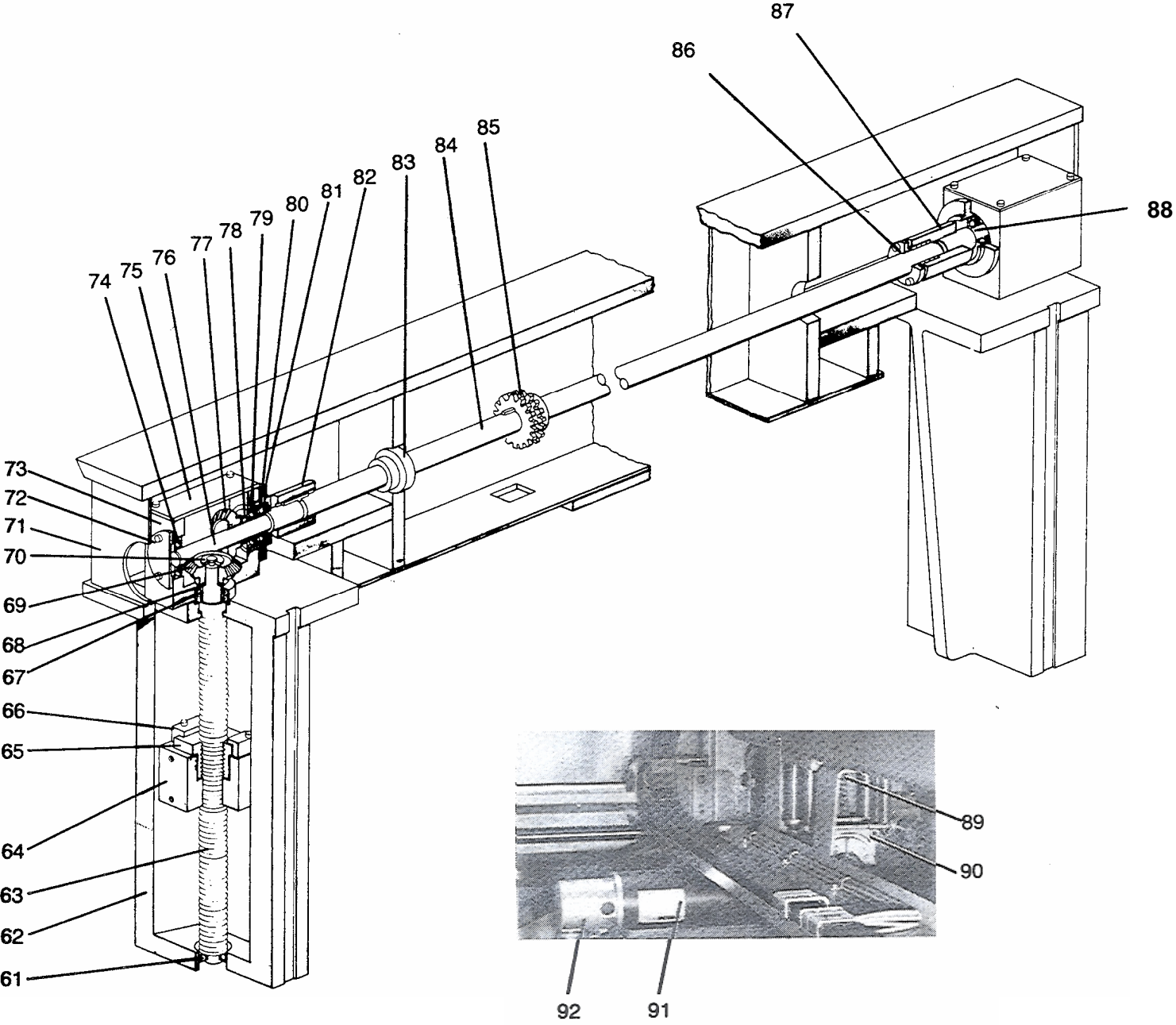


# RT4 SERIES PRESS BRAKES

## BACK GAUGE RAIL ASSEMBLY

ITEM NO.	DESCRIPTION	PART NUMBER
1	Pulley, Timing .....	6492-003
2	Belt, Timing .....	3413-009
3	Pulley, Take-Up .....	S40-032
4	Lock Nut & Washer .....	S040-PUR-001
5	Pulley, Timing .....	S040-PUR-015
6	Key .....	S040-PUR-011
7	Housing, Timing Belt Drive .....	S040-27B
8	Gib, V-Groove .....	S047-38A
9	Rail, Back Gage .....	S047-1C
10	Spacer, Timing Pulley .....	S040-15
11	Bearing .....	S040-PUR-007
12	Spacer, Bearing .....	S040-14
13	Screw, X-Axis R.H. ....	S047-3W
14	Spacer, Bearing .....	S040-REP13
15	Seal, Oil .....	S040-PUR-004
16	Housing, Bearing .....	S040-REP11
17	Bearing, Timpkin .....	S040-PUR-006
18	Spacer, Oil Seal .....	S040-12
19	Lock Nut & Washer .....	S040-PUR-001
20	Washer, Bevel Gear .....	S040-10A
21	Gear, Bevel (XH) .....	S040-PUR-013
22	Shaft, R.H. Horz. ....	S040-REP5/1
23	Bearing .....	S040-PUR-008
24	Washer, Gear .....	S040-REP23
25	Gear, Bevel (VH) .....	S040-PUR-014
26	Bushing .....	S040-PUR-018
27	Spacer .....	S040-REP7
28	Bearing .....	S040-PUR-006
29	Housing, Drive Shaft Bearing .....	S040-REP11
30	Coupling, Drive Shaft .....	S040-REP19/3
31	Shaft, Horiz. Drive	
	Model RT4 90X100 .....	S040-300/3-2050
	Model RT4 90X122 .....	S040-300/3-2600
	Model RT4 90X146 .....	S040-300/3-3100
	Model RT4 90X168 .....	S040-300/3-3820
	Model RT4 140X122 .....	S040-300/3-2600
	Model RT4 140X146 .....	S040-300/3-3100
	Model RT4 140X168 .....	S040-300/3-3820
	Model RT4 140X200 .....	S040-300/3-4600
	Model RT4 175X122 .....	S040-300/3-2600
	Model RT4 175X146 .....	S040-300/3-3100
	Model RT4 175X168 .....	S040-300/3-3800
	Model RT4 250X122 .....	S040-300/3-2600
	Model RT4 250X146 .....	S040-300/3-3100
	Model RT4 250X168 .....	S040-300/3-3820
	Model RT4 330X122 .....	S040-300/3-2600
	Model RT4 330X146 .....	S040-300/3-3100
	Model RT4 330X168 .....	S040-300/3-3800
32	Clamp, Coupling Adj. ....	6392-052-ND
33	Coupling, BG Drive Shaft Adj. ....	6392-052-ND
34	Housing, Drive Shaft .....	S040-REP16
35	Spacer, Drive Shaft .....	S040-REP7
36	Spacer .....	S040-17
37	Shaft, LH Drive .....	S040-6
38	Gib, Flat (39") .....	S047-37A
39	Screw, 39" L.H. ....	S047-4W
40	Spacer, Bearing .....	S040-14
41	Bearing .....	S040-PUR-007
42	Switch, X-Axis Rear Limit .....	4110-440
43	Motor, X-Axis .....	4450-025
44	Encoder, X-Axis .....	3900-500-01
45	Duct, Elec. Wire .....	4358-300

# RT4 SERIES PRESS BRAKES BACK GAUGE CROSS BEAM ASSEMBLY

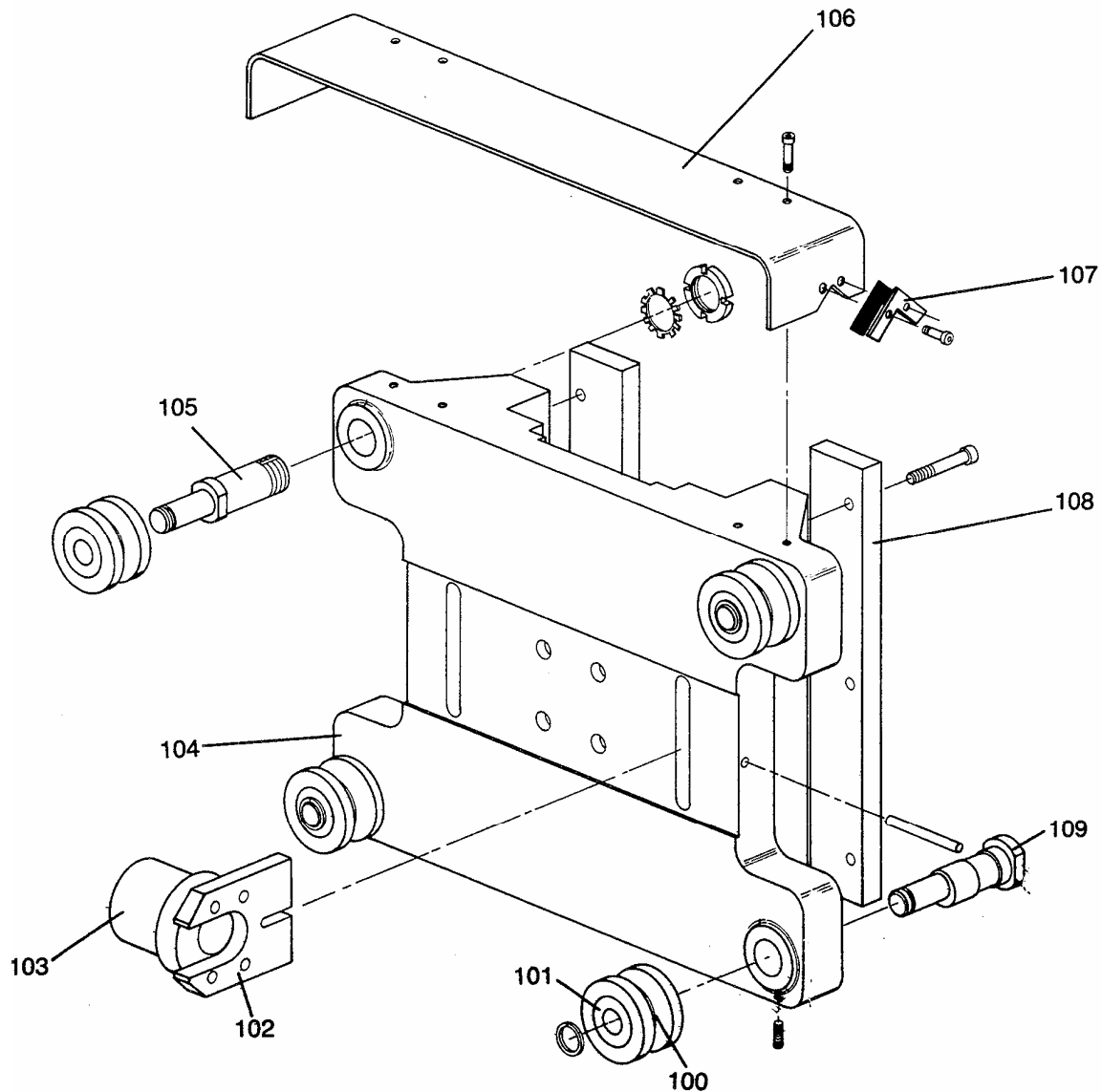


# RT4 SERIES PRESS BRAKES

## BACK GAUGE CROSS BEAM ASSEMBLY

ITEM NO.	DESCRIPTION	PART NUMBER
61	Bearing .....	3177-160
62	Housing, R-Axis .....	S044-REP500/1
63	Screw, R-Axis .....	S044-REP504/1A
64	Housing, R-Axis Nut .....	S044-513A
65	Nut, R-Axis Drive .....	S044-516A
66	Block, R-Axis Nut .....	S044-REP526C
67	Bearing .....	S040-PUR-023
68	Washer, Bevel Gear .....	S040-10A
69	Gear, Bevel .....	S040-PUR-013
70	Washer, Bevel Gear .....	S040-18
71	Beam, B/G Cross	
	Model RT4 90X100 .....	S040-502-1A-2050
	Model RT4 90X122 .....	S040-502-1A-2600
	Model RT4 90X146 .....	S040-502-1A-3100
	Model RT4 90X168 .....	S040-502-1A-3820
	Model RT4 140X122 .....	S040-502-1A-2600
	Model RT4 140X146 .....	S040-502-1A-3100
	Model RT4 140X168 .....	S040-502-1A-3820
	Model RT4 140X200 .....	S040-502-1A-4600
	Model RT4 175X122 .....	S040-502-1A-2600
	Model RT4 175X146 .....	S040-502-1A-3100
	Model RT4 175X168 .....	S040-502-1A-3800
	Model RT4 250X122 .....	S040-502-1A-2600
	Model RT4 250X146 .....	S040-502-1A-3100
	Model RT4 250X168 .....	S040-502-1A-3820
	Model RT4 330X122 .....	S040-502-1A-2600
	Model RT4 330X146 .....	S040-502-1A-3100
	Model RT4 330X168 .....	S040-502-1A-3800
72	Cap, Gear Housing End .....	S040-22
73	Housing, R-Axis Gear .....	S044-550
74	Bearing .....	S040-PUR-009
75	Cover, Gear Housing .....	S044-530
76	Shaft, R.H. Horiz. Drive .....	S040-6
77	Gear, Bevel .....	S040-PUR-014
78	Collar, Drive Shaft .....	S040-REP7
79	Bearing .....	S040-PUR-008
80	Bearing .....	S040-PUR-009
81	Housing, Drive Shaft Bearing .....	S040-REP16
82	Coupling, B/G Drive Shaft .....	S040-REP19/3
83	Bearing, Flange Mtg. ....	3146-351
84	Shaft, R-Axis Cross	
	Model RT4 90X100 .....	S040-REP544-2050
	Model RT4 90X122 .....	S040-REP544-2600
	Model RT4 90X146 .....	S040-REP544-3100
	Model RT4 90X168 .....	S040-REP544-3820
	Model RT4 140X122 .....	S040-REP544-2600
	Model RT4 140X146 .....	S040-REP544-3100
	Model RT4 140X168 .....	S040-REP544-3820
	Model RT4 140X200 .....	S040-REP544-4600
	Model RT4 175X122 .....	S040-REP544-2600
	Model RT4 175X146 .....	S040-REP544-3100
	Model RT4 175X168 .....	S040-REP544-3800
	Model RT4 250X122 .....	S040-REP544-2600
	Model RT4 250X146 .....	S040-REP544-3100
	Model RT4 250X168 .....	S040-REP544-3820
	Model RT4 330X122 .....	S040-REP544-2600
	Model RT4 330X146 .....	S040-REP544-3100
	Model RT4 330X168 .....	S040-REP544-3800
85	Sprocket, R-Axis Driven .....	6492-155
86	Clamp, Coupling Adj. ....	6392-052-ND
87	Coupling, Drive .....	6392-052-ND
88	Shaft, L.H. Horiz. Drive .....	S040-REP5/1
89	Chain, R-Axis Drive .....	S040-PUR-026
90	Reducer, R-Axis Gear .....	S040-PUR-025
91	Motor, R-Axis .....	4450-025-005
92	Encoder, R-Axis .....	3900-200

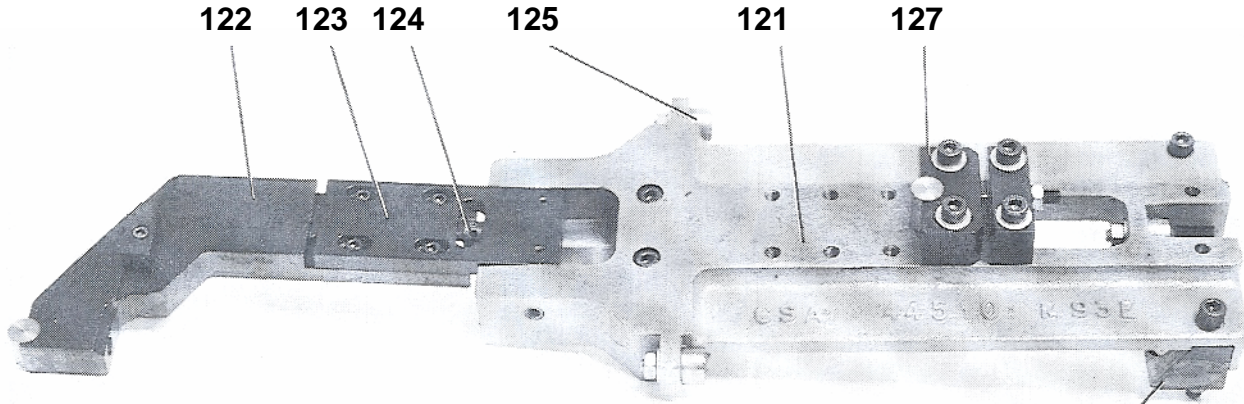
# RT4 SERIES PRESS BRAKES BACK GAUGE CARRIAGE ASSEMBLY



ITEM NO.	DESCRIPTION	PART NUMBER
100	Roller, V-Groove (Roller Flat Top Not Shown) .....	S040-41
101	Bearing .....	S040-PUR-022
102	Plate, X-Axis Drive Nut .....	S040-36.11
103	Nut, X-Axis Drive .....	S047-3W
104	Carriage, X & R Axis .....	S044-501
105	Shaft, Top Roller .....	S040-42
106	Guard, Gib V-Roller (Guard, Gib Flat Roller Not Shown) .....	S040-45A
107	Wiper, V-Gib X-Axis (Wiper, Flat Gib X-Axis Not Shown) .....	S040-104
108	Gib, R-Axis .....	S044-REP527
109	Shaft, Bottom Roller .....	S040-43

# RT4 SERIES PRESS BRAKES

## MANUAL Z1-Z2 FINGER ASSEMBLY



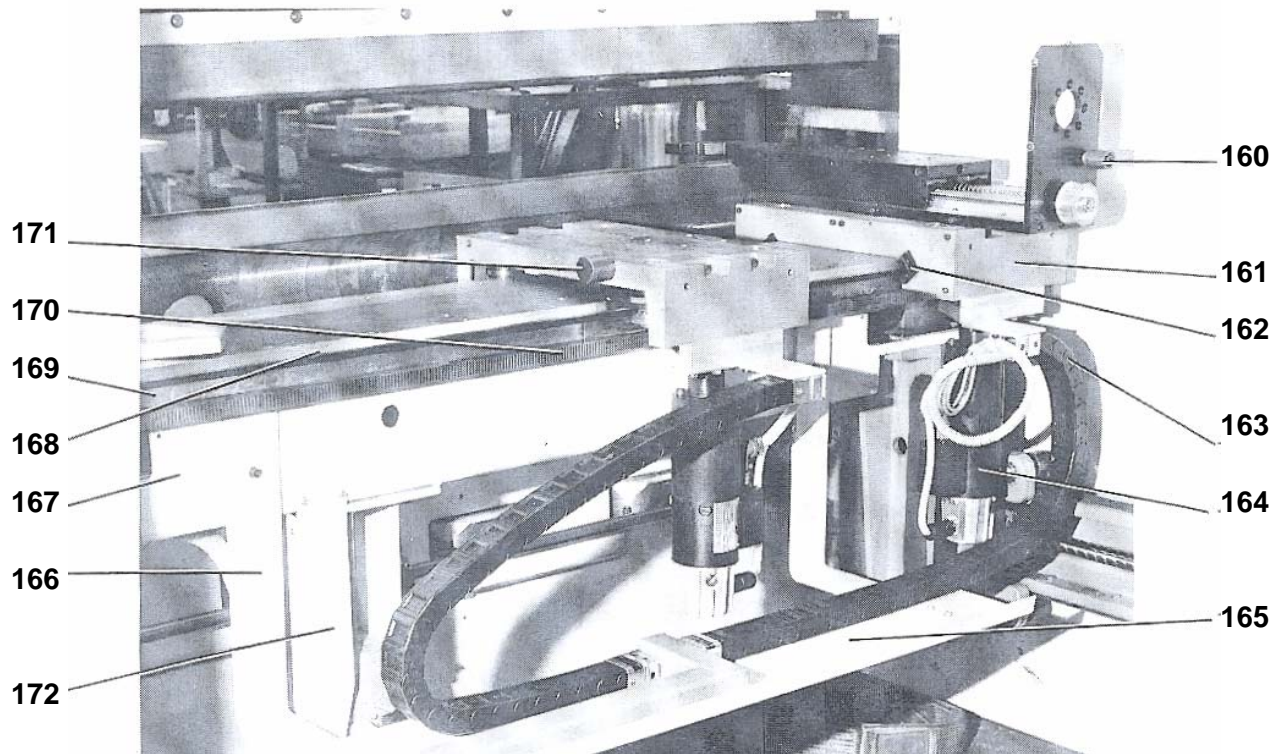
128

ITEM NO.	DESCRIPTION	PART NUMBER
121	Bracket, Z1-Z2 Finger .....	S044-R-510/1
122	Finger, Z1-Z2 .....	S057-308
123	Flap, Z1-Z1 Support .....	S057-REP310
124	Disc, Z1-Z2 Adj. Finger .....	S057-REP312
125	Roller, Z1-Z2 .....	S040-PUR-045
126	Clamp, Z1-Z2 Rear Finger .....	S040-511
127	Finger, 2 Step Rear .....	S057-010
128	Brg., Transfer .....	3107-321



# RT4 SERIES PRESS BRAKES

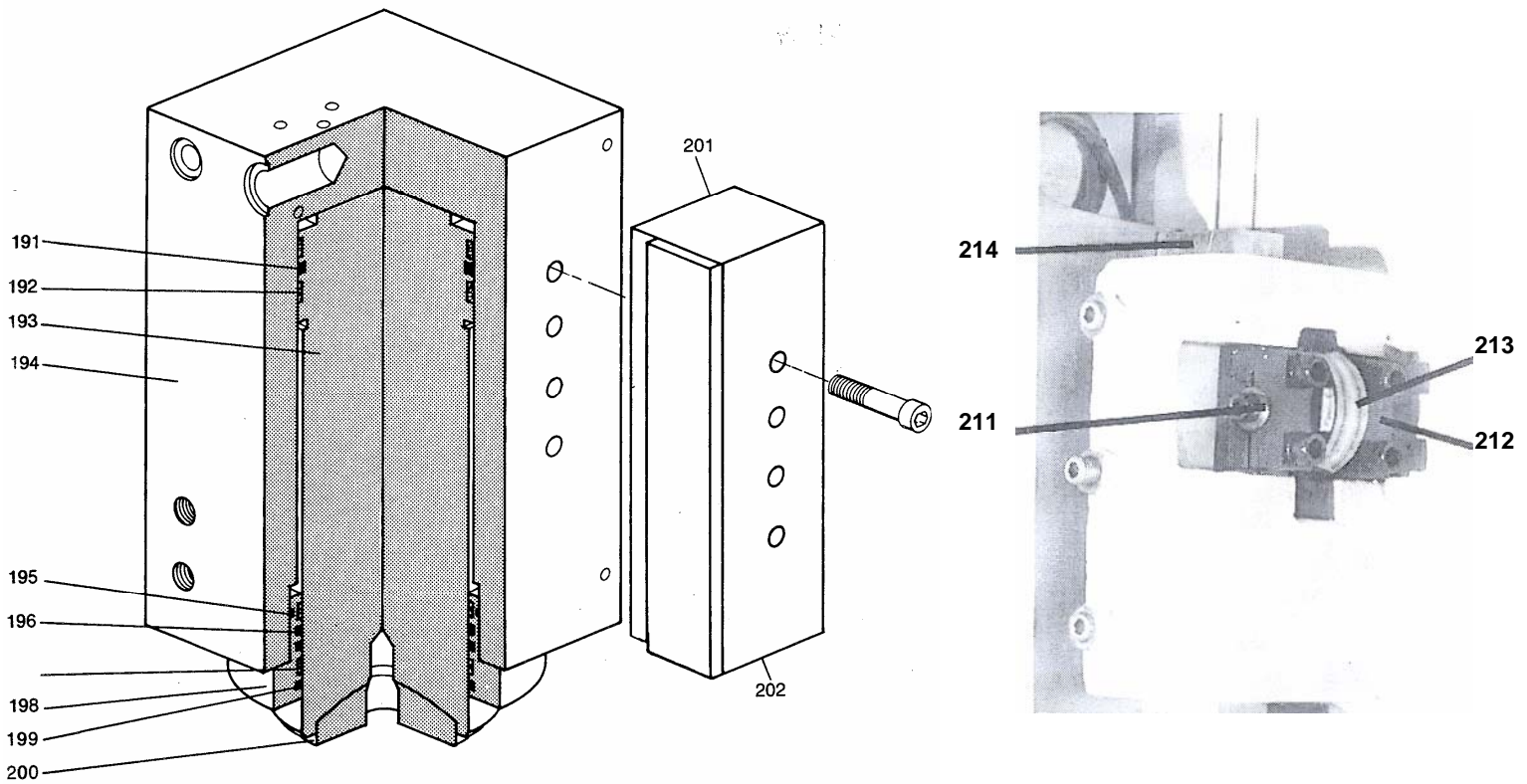
## POWERED Z1-Z2 BACK GAUGE



ITEM NO.	DESCRIPTION	PART NUMBER
160	Unit, X-1 Finger .....	S066-02
161	Unit, Z1-Z2 Power .....	S055-1700
162	Wiper (Neoprene) .....	S040-104
163	Wire Duct .....	4358-309
164	Motor, Z1-Z2 W/Encoder .....	4450-025-025
165	Tray, Wire Support .....	6492-220
166	Bracket, Tray Support .....	6492-214
167	Beam, B/G Z1-Z2 Cross	
	RT4    X100 .....	S055-REP502-2050
	RT4    X122 .....	S055-REP502-2600
	RT4 175 X 168 .....	S055-REP502-3100
	RT4 330 X 168 .....	S055-REP502-3800
	RT4 90 X 168 .....	S055-REP502-3800
	RT4 140 X 168 .....	S055-REP502-3820
	RT4 250 X 168 .....	S055-REP502-3800
168	Plate, Cross Beam Top	
	RT4    X 100 .....	6492-018
	RT4    X 122 .....	6492-020
	RT4    X 146 .....	6492-053
	RT4 175 X 168 .....	6492-192
	RT4 330 X 168 .....	6492-192
	RT4 90 X 168 .....	6492-217
	RT4 140 X 168 .....	6492-217
	RT4 250 X 168 .....	6492-217
169	Adapter, Gear Rack .....	6492-205
170	Rack, Gear .....	6492-212
171	Bumper .....	4540-273
172	Bracket, Gear Reducer .....	<b>6492-256</b>

# RT4 SERIES PRESS BRAKES

## MAIN HYDRAULIC CYLINDER, UPPER & LOWER GUIDES



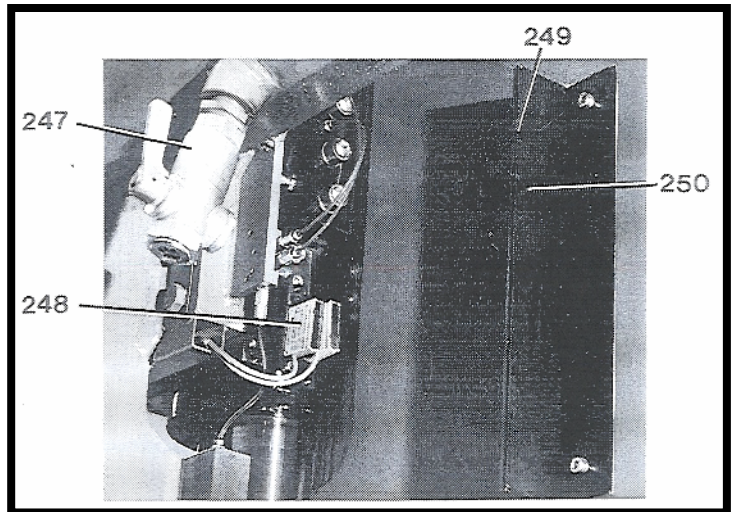
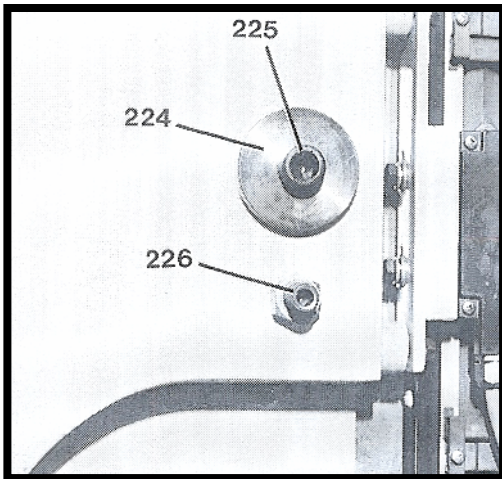
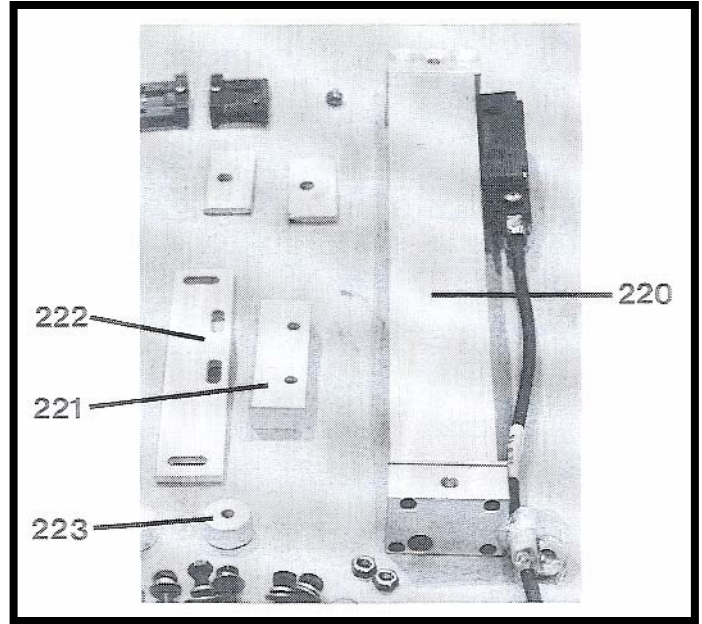
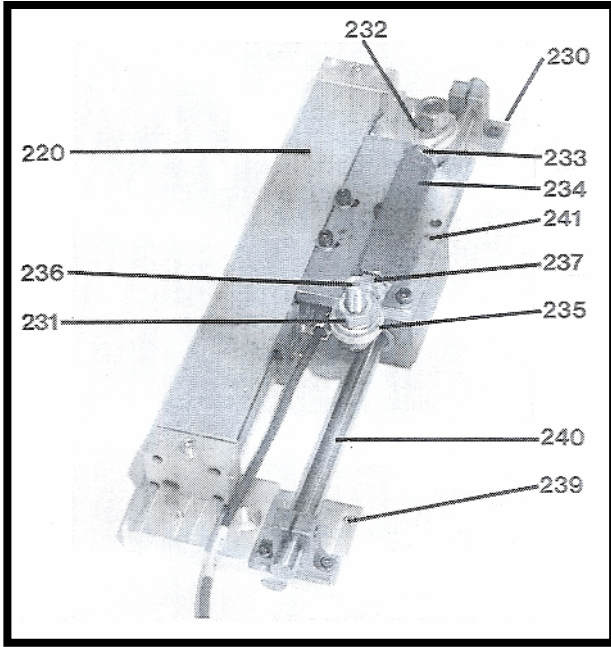
ITEM NO.	DESCRIPTION	RT4 90 Ton	RT4 140 Ton	RT4 175 Ton	RT4 250 Ton	RT4 330 Ton
191	Glyd Ring	91.081.150.430.0	91.081.180.438.0	91.081.200.441.0	91.081.24 0.446.0	91.081.275.448.0
192	Slyd Ring	91.083.150.150.0	91.083.150.180.0	91.083.150.200.0	91.083.15 0.240.0	91.082.250.275.0
193	Rod, Hyd. Cylinder	708.08.20.000.00	712.08.10.100.00	716.08.14.000.00	722.0 8.14.000.00	730.08.15.000.00
194	Housing, Hyd. Cylinder	708.08.10.000.00	612.08.14.000.00	716.08.10.000.00	722.0 8.10.000.00	730.08.19.000.00
195	O-Ring	3255-209	3255-214	3255-217	3255-254	91.100.090.379.0
196	Step Seal	91.080.145.359.0	91.080.173.365.0	91.080.190.368.0	91.080.23 0.448.0	91.080.260.450.0
197	Slyd Ring	91.083.150.150.0	91.082.150.173.0	91.082.150.190.0	91.082.15 0.230.0	91.082.250.260.0
198	Cap, Hyd. Cylinder Rod	708.08.19.000.00	712.08.11.100.00	716.08.12.000.00	722.08.15. 000.00	730.08.16.000.00
199	Double Scraper	91.084.000.145.0	91.084.000.173.0	91.084.000.190.0	91.084 .000.230.0	91.084.000.260.0
200	Washer, Large Convex Rod	708.08.13.000.00	612.08.17.000.00	716.08.13.000.00	720.08.17. 000.00	730.08.17.000.00
201	Gib, Upper Front	612.05.10.000.00	612.05.10.000.00	612.05.10.000.00	720.05.1 6.000.00	730.05.11.000.00
202	Gib, Upper Rear	705.05.10.000.00	705.05.10.000.00	705.05.10.000.00	720.05.16 .000.00	730.05.11.000.00
203	Washer, Concave	708.08.15.000.00	612.08.11.000.00	720.08.11.000.00	720.08 .11.000.00	730.08.11.000.00
204	Washer, Convex	708.08.16.000.00	612.08.12.000.00	720.08.12.000.00	720.08. 12.000.00	730.08.12.000.00
205	Nut, Cylinder To Ram	708.08.17.000.00	612.08.13.000.00	720.08.13.000.00	720.08.13. 000.00	730.08.13.000.00

ITEM NO.	DESCRIPTION	RT4 90 Ton	RT4 140 Ton	RT4 175 Ton	RT4 250 Ton	RT4 330 Ton
211	Shaft, Eccentric	612.05.14.100.00	612.05.14.100.00	612.05.14.100.00	720. 05.14.100.00	720.05.14.100.00
212	Clamp	712.05.10.000.00	712.05.10.000.00	712.05.10.000.00	720 .05.15.000.00	720.05.15.000.00
213	Roller	90.079.030.072.0	90.079.030.072.0	90.079.030.072.0	90 .079.040.090.0	90.079.040.090.0
214	Gib, Lower L.H.	708.05.10.000.00	612.05.13.000.00	612.05.13.000.00	720.02.10 .100.00	720.02.10 .100.00
214A	Gib, Lower R.H.	708.05.10.000.00	612.05.13.000.00	612.05.13.000.00	720.02.10 .002.00	720.02.10 .002.00



# RT4 SERIES PRESS BRAKES

## Y1-Y2 LINEAR ENCODER



### INFRARED LIGHT BEAM

### LINEAR ENCODER

ITEM NO.	DESCRIPTION	RT4				
		90 Ton	140 Ton	175 Ton	250 Ton	330 Ton
220	Encoder, Linear	3900-100	3900-100	3900-100	3900-270	3900-270
221	Block, Encoder Head	612.16.13.000.00	612.16.13.000.00	612.16.13.000.00		
222	Strip, Encoder	612.16.10.000.00	612.16.10.000.00	612.16.10.000.00		
223	Spacer, Encoder	612.16.11.000.00	612.16.11.000.00	612.16.11.000.00		
224	Washer, Encoder	612.16.12.000.00	612.16.12.000.00	612.16.12.000.00	612.16.12.000.00	612.16.12.000.00
225	Screw, Socket Head Cap	3303-737	3303-737	3303-737	3303-737	3303-737
226	Screw, Socket Hd. Set & Nut	3306-736,3319-305	3306-736,3319-305	3306-736,3319-305	3306-73 6,3319-305	3306-736,3319-305
227	Connector	3905-013	3905-013	3905-013		
230	Base, Linear Encoder Top				6492-200	6492-200
231	Spacer, Hex Nut				6492-097	6492-097
232	Rod End, R.H. Thd.				3132-260	3132-260
233	Nut, Jam R.H. Thd.				3320-025	3320-025
234	Turnbuckle				6492-096	6492-096
235	Rod End, L.H. Thd.				3132-262	3132-262
236	Stud, Encoder Locating				6492-095	6492-095

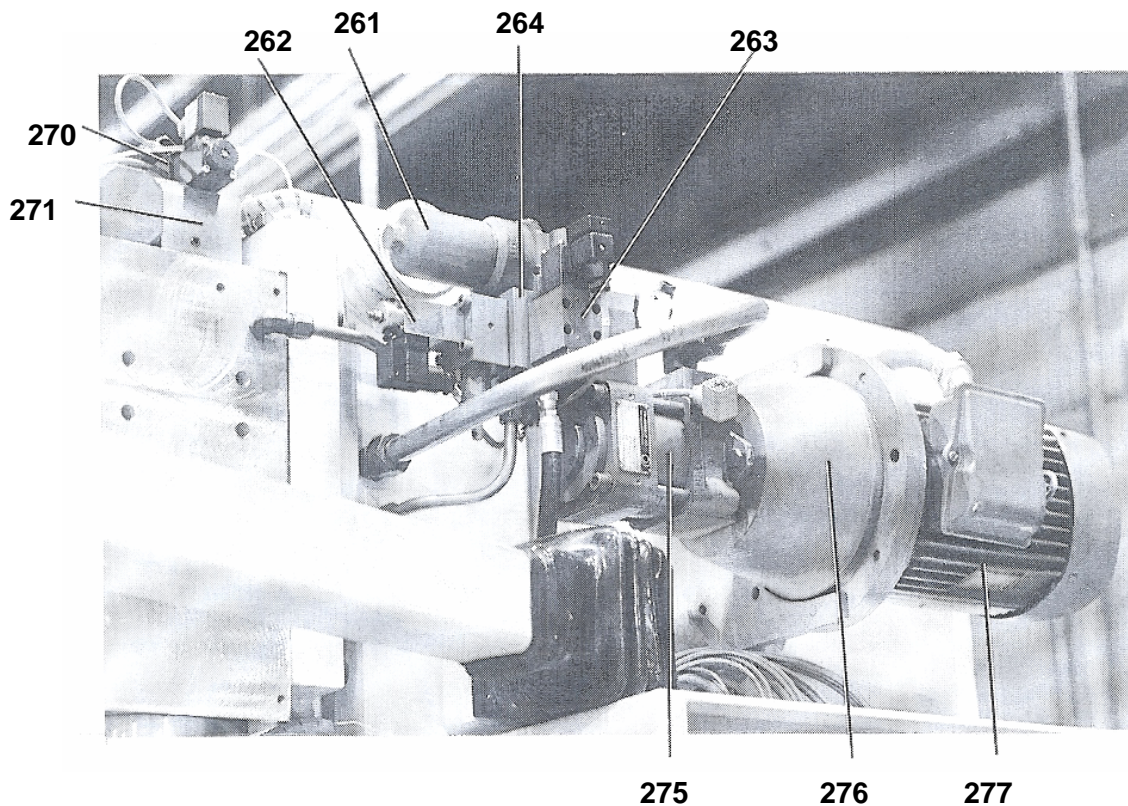
## LINEAR ENCODER

237	Nut, Jam L.H. Thd.	3320-026	3320-026
238	Spring, Extension (Not Shown-Under turnbuckle)	746.16.20.000.00	746.16.20.000.00
239	Base, Linear Encoder Bottom	6492-201	6492-201
240	Guide, Encoder	91.056.016.002.1	91.056.016.002.1
241	Plate, R.H. Connection	721.16.11.100.00	721.16.11.100.00
241A	Plate, L.H. Connection	721.16.12.100.00	721.16.12.100.00

## INFRARED LIGHT BEAM

ITEM NO.	DESCRIPTION	RT4 90 Ton	RT4 140 Ton	RT4 175 Ton	RT4 250 Ton	RT4 330 Ton
247	Valve, Hyd. Tank Drain	3761-022	3761-022	3761-022	3761-022	3761-022
248	Switch, Photo	4112-002	4112-002	4112-002	4112-002	4112-002
249	Bracket, Mirror Support	612.15.18.000.00	612.15.18.000.00	612.15.18.000.00	730.15.10.000.00	730.15.10.000.00
250	Mirror	612.15.18.002.ND	612.15.18.002.ND	612.15.18.002.ND	73 0.15.10.001.ND	730.15.10.001.ND

## FILTER MANIFOLD, CYLINDER MANIFOLD, HYDRAULIC PUMP



### FILTER MANIFOLD

ITEM NO.	DESCRIPTION	RT4 90 Ton	RT4 140 Ton	RT4 175 Ton	RT4 250 Ton	RT4 330 Ton
260	Sensor, Pressure Filter	4166-901	4166-901	4166-901	4166-901	4166-901
261	Filter, Pressure	91.327.250.032.0	91.327.250.032.0	91.327.250.056.0	91.32 7.250.090.0	91.327.250.090.0
262	Valve, Prop. Pressure	91.520.000.001.0	91.520.000.001.0	91.520.000.001.0	91.52 0.000.001.0	91.520.000.001.0
263	Valve, Bed Comp.	91.540.350.024.0	91.540.350.024.0	91.540.350.024.0	91.540.3 50.024.0	91.540.350.024.0
264	Manifold, Pump	612.11.11.100.00	612.11.11.100.00	745.11.11.000.00	745.11.11 .000.00	745.11.11.000.00

### CYLINDER MANIFOLD

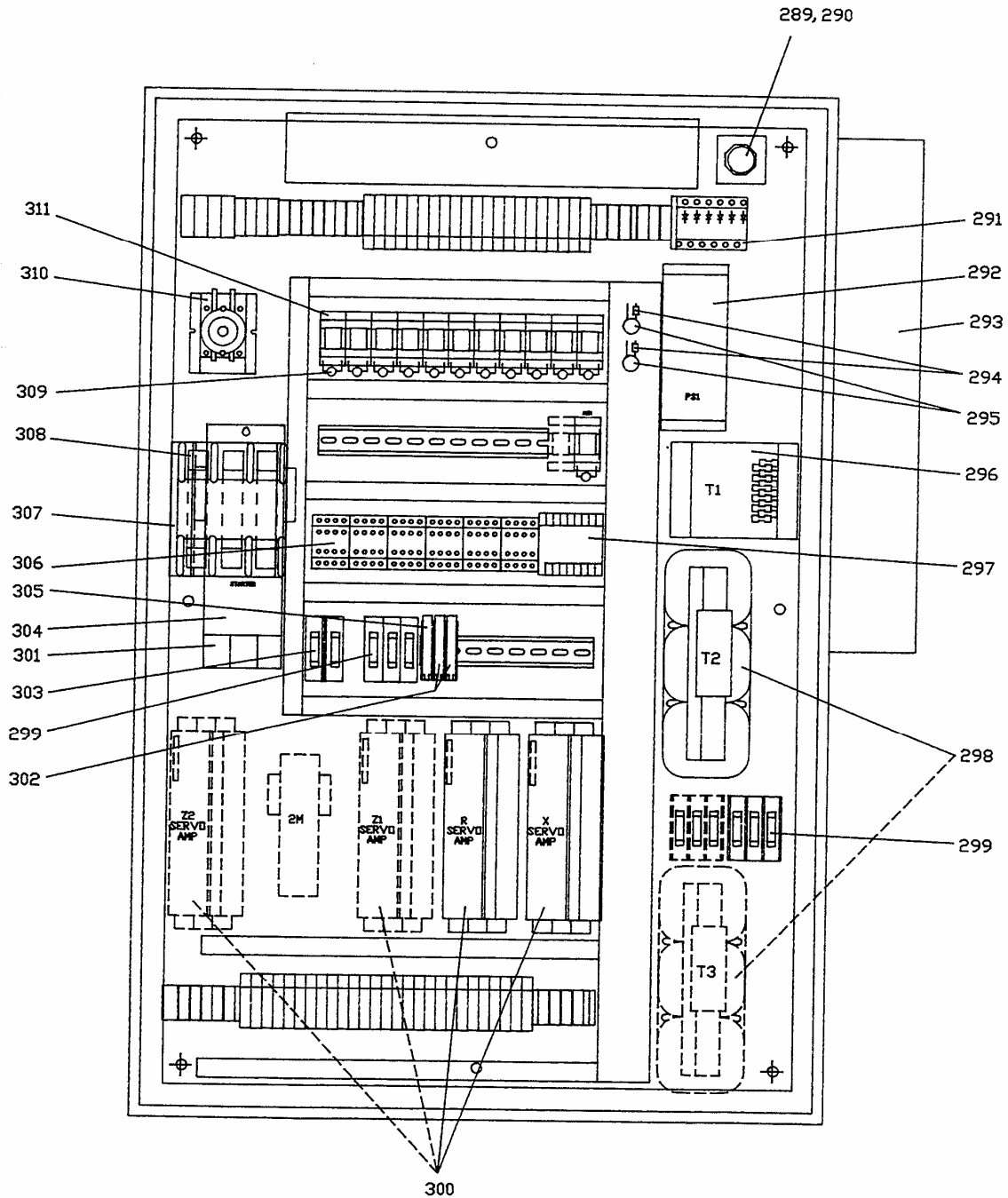
ITEM NO.	DESCRIPTION	RT4 90 Ton	RT4 140 Ton	RT4 175 Ton	RT4 250 Ton	RT4 330 Ton
270	Valve, 4-Way	91.521.000.001.0	91.521.000.001.0	91.521.000.002.0	91.521.0 00.002.0	91.521.000.002.0
271	Manifold, Main Cyl.	612.11.10.100.00	612.11.10.100.00	745.11.10.000.00	745.11.10.000.00	745.11.10.000.00



# CYLINDER MANIFOLD

ITEM NO.	DESCRIPTION	RT4 90 Ton	RT4 140 Ton	RT4 175 Ton	RT4 250 Ton	RT4 330 Ton
275	Pump, Hydraulic	91.272.033.010.0	91.272.033.012.0	91.272.043.020.0	91.272.043.032.0	91.272.043.032.0
276	Flange, Pump	90.251.300.411.0	3257-062	90.251.350.420.0	90.251.350.420.0	90.251.350.420.0
277	Motor, Main	92.011.132.550.4	4424-053	92.011.160.110.4	92.012.160.150.4	92.012.160.150.4

## RT4 SERIES PRESS BRAKES ELECTRICAL PANEL



# RT4 SERIES PRESS BRAKES ELECTRICAL PANEL

ITEM NO.	DESCRIPTION	RT4 90 TON	RT4 140 TON	RT4 175 TON	RT4 250 TON	RT4 330 TON
289	Push Button	4128-201	4128-201	4128-201	4128-201	4128-201
290	Contact Block	4130-011	4130-011	4130-011	4130-011	4130-011
291	Diode Block	4175-201	4175-201	4175-201	4175-201	4175-20
292	Power Supply	3901-224-01	3901-224-01	3901-224-01	3901-224-01	3901-224-01
293	Heat Exchanger	3773-356	3773-356	3773-356	3773-356	3773-356
294	Resistor	3952-101	3952-101	3952-101	3952-101	3952-101
295	Capacitors	3943-471	3943-471	3943-471	3943-471	3943-471
296	Transformer	4177-901	4177-901	4177-901	4177-901	4177-901
297	Stroke Interlock	4059-101	4059-101	4059-101	4059-101	4059-101
298	Transformer	4177-901	4177-901	4177-901	4177-901	4177-922
299	Fuse	4328-615	4328-615	4328-615	4328-615	4328-615
300	Servo Amplifier	4100-101	4100-101	4100-101	4100-101	4100-101
301	Heater, Overload 230v.	4125-514	4125-514	4125-516	4125-521	4125-521
301A	Heater, Overload460v.	4125-512	4125-511	4125-512	4125-514	4125-514
302	Fuse	4326-012	4326-012	4326-012	4326-012	4326-012
303	Fuse	4328-602	4328-602	4328-602	4328-602	4328-602
304	Starter	4150-843	4150-843	4150-843	4150-844	4150-844
305	Fuse	4326-058	4326-058	4326-058	4326-058	4326-058
306	Suppressor	4137-002	4137-002	4137-002	4137-002	4137-002
307	Fuse Block	4329-104	4329-104	4329-104	4329-105	4329-105
308	Fuse @230v.	4328-740	4328-740	4328-770	4328-770	4328-770
308A	Fuse@460v.	4328-725	4328-725	4328-735	4328-740	4328-740
309	Suppressor	3903-005	3903-005	3903-005	3903-005	3903-005
310	Disconnect	4171-143	4171-143	4171-143	4171-144	4171-144
311	Relay	4134-705	4134-705	4134-705	4134-705	4134-705