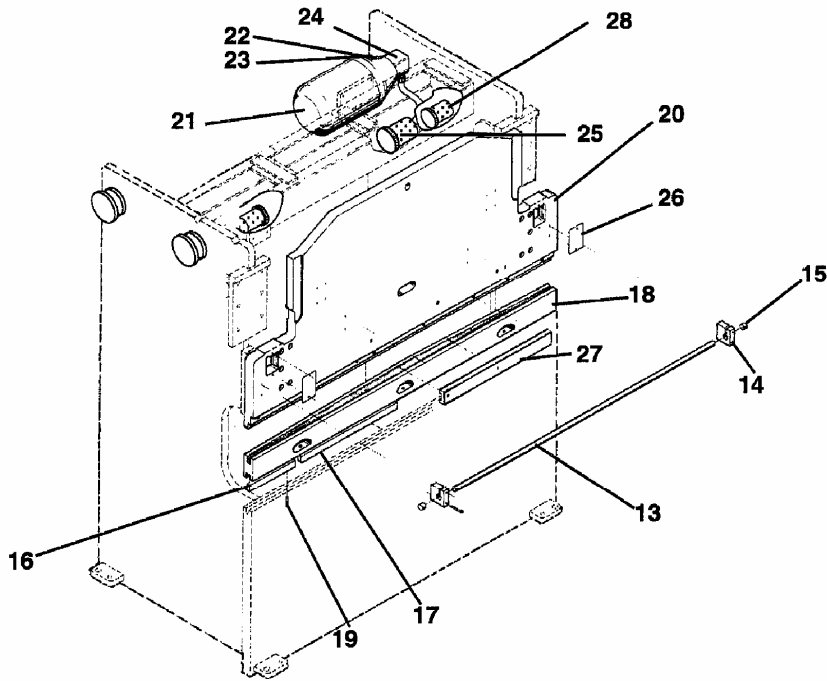


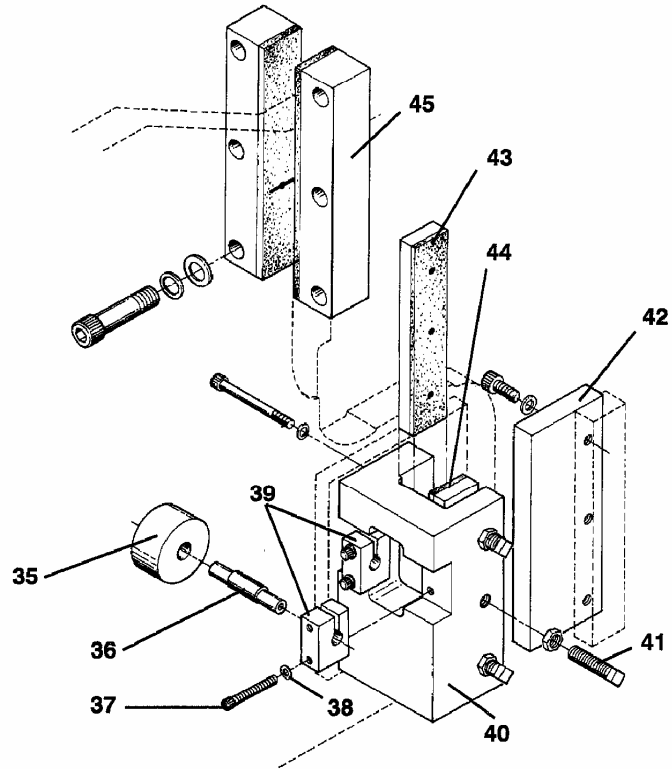
MTH II-HS SERIES PRESS BRAKES FRAME ASSEMBLY



ITEM NO.	DESCRIPTION	MTH II-HS	MTH II-HS	MTH II-HS	MTH II-HS	MTH II-HS	MTH II-HS	MTH II-HS
		60-72	60-96	60-120	100-96	100-120	100-144	100-168
13	Handrail	3859-206	3859-208	3859-210	3859-208	3859-210	3859-212	3859-214
14	Bracket, Handrail Mtg.	7486-315	7486-315	7486-315	7486-315	7486-315	7486-315	7486-315
15	Cap, Plastic	4510-100	4510-100	4510-100	4510-100	4510-100	4510-100	4510-100
16	Key, Die Holder	7485-083	7485-083	7485-083	7485-083	7485-083	7485-083	7485-083
17	Key, Die Holder	7485-084	7485-084	7485-084	7485-084	7485-084	7485-084	7485-084
18	Holder, Die	7435-905	7435-906	7435-723	7485-077	7485-078	7485-079	7485-080
19	Screw, Soc. Hd. Cap	3303-082	3303-082	3303-082	3303-082	3303-082	3303-082	3303-082
20	Ram, Press Brake	7437-643	7437-644	7437-644		7237-348	7237-344	7237-339
21	Motor	4426-014	4426-014	4426-014	4430-014	4430-014	4430-014	4430-014
22	Flange, Pump	3257-062	3257-062	3257-062	3257-064	3257-064	3257-064	3257-064
23	Coupling	3428-214	3428-214	3428-214	3428-223	3428-223	3428-223	3428-223
24	Pump	3257-208	3257-208	3257-208	3257-127	3257-127	3257-127	3257-127
25	Filter, Pump Suction	3764-307	3764-307	3764-315	3764-315	3764-315	3764-315	3764-315
26	Cover, Cyl. Rod Nut	7437-014	7437-014	7437-014	7437-200	7437-200	7437-200	7437-200
27	Bar, Clamp	7437-160	7437-160	7437-160	7437-160	7437-160	7437-160	7437-160
28	Filter, Cylinder	3764-302	3764-302	3764-302	3764-308	3764-308	3764-308	3764-308

ITEM NO.	DESCRIPTION	MTH II-HS	MTH II-HS	MTH II-HS	MTH II-HS
		140-96	140-120	140-144	140-168
13	Handrail	3859-208	3859-210	3859-212	3859-214
14	Bracket, Handrail Mtg.	7486-315	7486-315	7486-315	7486-315
15	Cap, Plastic	4510-100	4510-100	4510-100	4510-100
16	Key, Die Holder	7485-083	7485-083	7485-083	7485-083
17	Key, Die Holder	7485-084	7485-084	7485-084	7485-084
18	Holder, Die	7485-077	7485-078	7485-079	7485-080
19	Screw, Soc. Hd. Cap	3303-082	3303-082	3303-082	3303-082
20	Ram, Press Brake		7237-335	7237-354	
21	Motor	4432-014	4432-014	4432-014	4432-014
22	Flange, Pump	3257-064	3257-064	3257-064	3257-064
23	Coupling	3428-223	3428-223	3428-223	3428-223
24	Pump	3257-127	3257-127	3257-127	3257-127
25	Filter, Pump Suction	3764-315	3764-315	3764-315	3764-315
26	Cover, Cyl. Rod Nut	7437-200	7437-200	7437-200	7437-200
27	Bar, Clamp	7437-160	7437-160	7437-160	7437-160
28	Filter, Cylinder	3764-308	3764-308	3764-308	3764-308

MTH II-HS SERIES PRESS BRAKES GIBBING CONFIGURATION

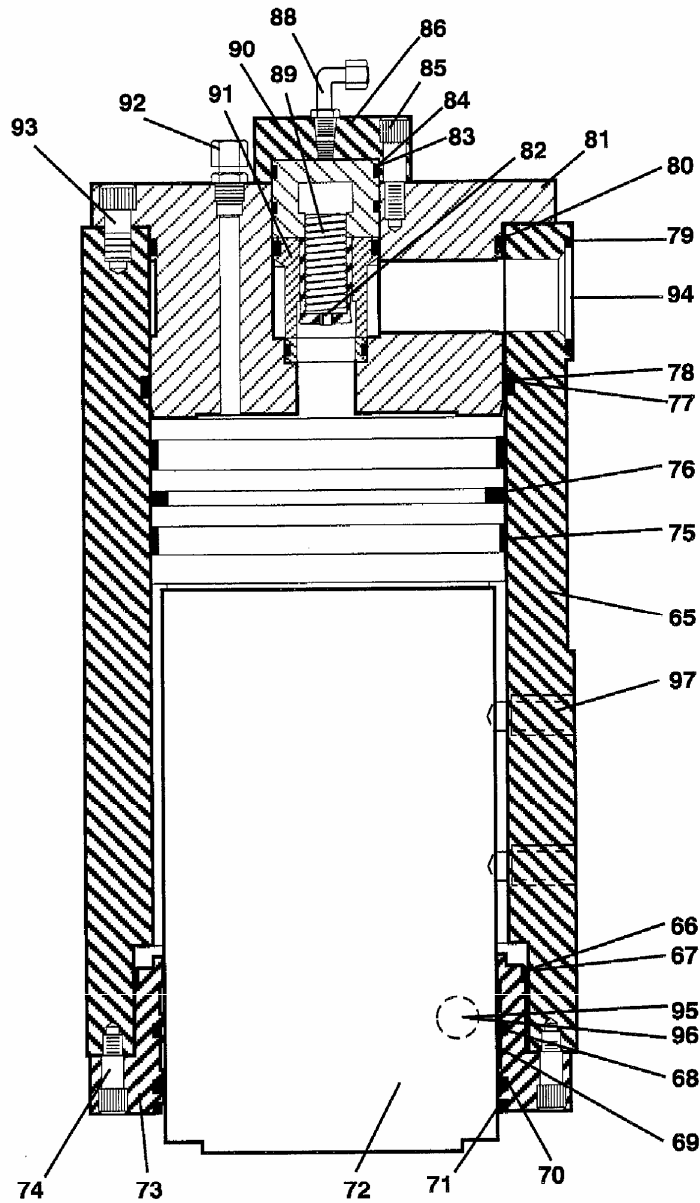


ITEM NO.	DESCRIPTION	MTH II-HS 60-72	MTH II-HS 60-96	MTH II-HS 60-120	MTH II-HS 100-96	MTH II-HS 100-120	MTH II-HS 100-144	MTH II-HS 100-168
35	Bearing, Roller	3107-214	3107-214	3107-214	3107-214	3107-214	3107-214	3107-214
36	Shaft, Cam Follower	7437-006	7437-006	7437-006	7437-006	7437-006	7437-006	7437-006
37	Screw, Soc. Hd. Cap	3303-115	3303-115	3303-115	3303-115	3303-115	3303-115	3303-115
38	Washer, Lock	3327-007	3327-007	3327-007	3327-007	3327-007	3327-007	3327-007
39	Block, Roller Mtg.	7437-007	7437-007	7437-007	7437-007	7437-007	7437-007	7437-007
40	Bracket, Ram	7037-034	7037-034	7037-034	7037-029	7037-029	7037-029	7037-029
41	Screw, Sq. Hd. Set	3310-036	3310-036	3310-036	3310-036	3310-036	3310-036	3310-036
42	Way, Ram	7437-004	7437-004	7437-004	7437-158	7437-158	7437-158	7437-158
43	Gib, Ram Front	7437-017	7437-017	7437-017	7437-155	7437-155	7437-155	7437-155
44	Gib, Ram Rear	7437-018	7437-018	7437-018	7437-156	7437-156	7437-156	7437-156
45	Block, Upper Gib	7437-444	7437-444	7437-444	7437-460	7437-460	7437-460	7437-460

ITEM NO.	DESCRIPTION	MTH II-HS 140-96	MTH II-HS 140-120	MTH II-HS 140-144	MTH II-HS 140-168
35	Bearing, Roller	3107-214	3107-214	3107-214	3107-214
36	Shaft, Cam Follower	7437-006	7437-006	7437-006	7437-006
37	Screw, Soc. Hd. Cap	3303-115	3303-115	3303-115	3303-115
38	Washer, Lock	3327-007	3327-007	3327-007	3327-007
39	Block, Roller Mtg.	7437-007	7437-007	7437-007	7437-007
40	Bracket, Ram	7037-029	7037-029	7037-029	7037-029
41	Screw, Sq. Hd. Set	3310-036	3310-036	3310-036	3310-036
42	Way, Ram	7437-158	7437-158	7437-158	7437-158
43	Gib, Ram Front	7437-155	7437-155	7437-155	7437-155
44	Gib, Ram Rear	7437-156	7437-156	7437-156	7437-156
45	Block, Upper Gib	7437-460	7437-460	7437-460	7437-460

MTH II-HS SERIES PRESS BRAKES

CYLINDER ASSEMBLY



ITEM NO.	DESCRIPTION	MTH II-HS 60-72	MTH II-HS 60-96	MTH II-HS 60-120	MTH II-HS 100-96	MTHII-HS 100-120	MTH II-HS 100-144	MTH II-HS 100-168
65	Housing, Cylinder	7437-421	7437-421	7437-421	7437-665	7437-665	7437-665	7437-665
66	O-Ring	3255-210	3255-210	3255-210	3255-235	3255-235	3255-235	3255-235
67	O-Ring, Backup	3255-429	3255-429	3255-429	3255-435	3255-435	3255-435	3255-435
68	Seal, Step - Rod	3211-818	3211-818	3211-818	3211-819	3211-819	3211-819	3211-819
69	Bearing, Rod	3188-006	3188-006	3188-006	3188-009	3188-009	3188-009	3188-009
70	Seal, Step - Rod	3211-802	3211-802	3211-802	3211-803	3211-803	3211-803	3211-803
71	Wiper	3211-692	3211-692	3211-692	3211-712	3211-712	3211-712	3211-712
72	Rod, Piston	7437-385	7437-385	7437-385	7437-436	7437-436	7437-436	7437-436
73	Cap, Cylinder Rod	7437-275	7437-275	7437-275	7437-667	7437-667	7437-667	7437-667
74	Screw	3303-111	3303-111	3303-111	3303-111	3303-111	3303-111	3303-111
75	Bearing, Piston	3188-006	3188-006	3188-006	3188-017	3188-017	3188-017	3188-017
76	Seal, Piston	3211-821	3211-821	3211-821	3211-832	3211-832	3211-832	3211-832
77	O-Ring	3255-199	3255-199	3255-199	3255-248	3255-248	3255-248	3255-248

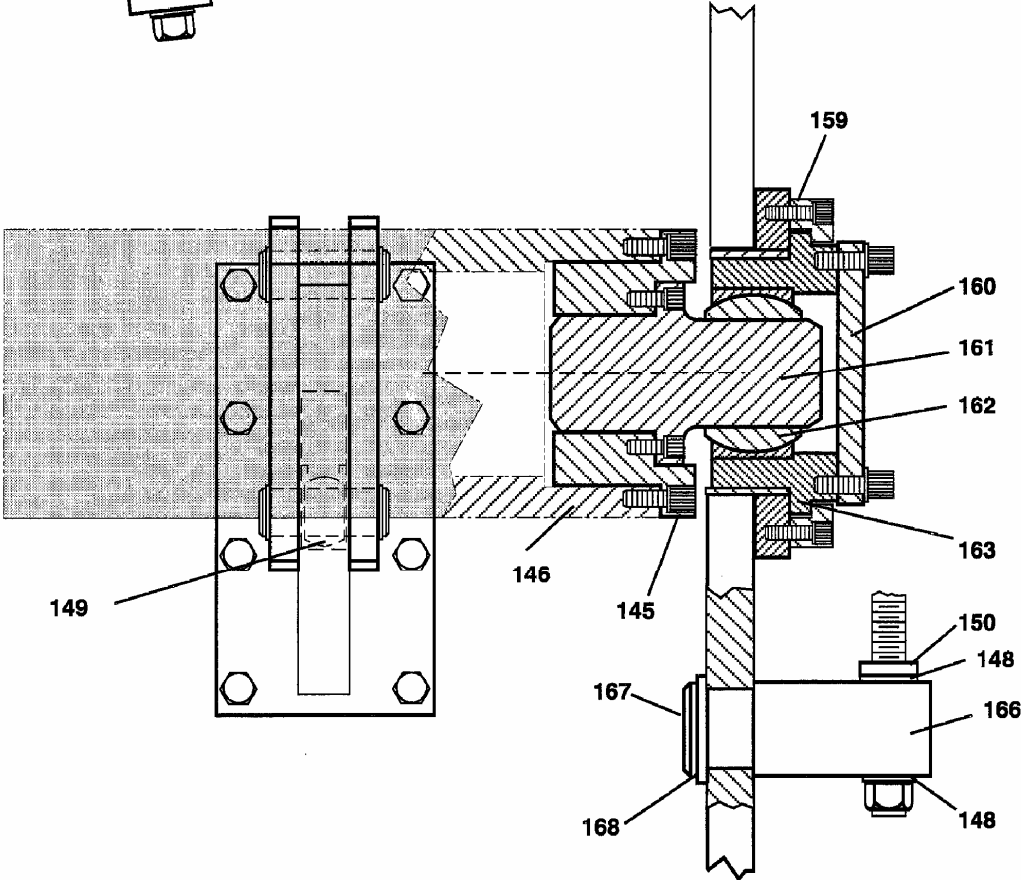
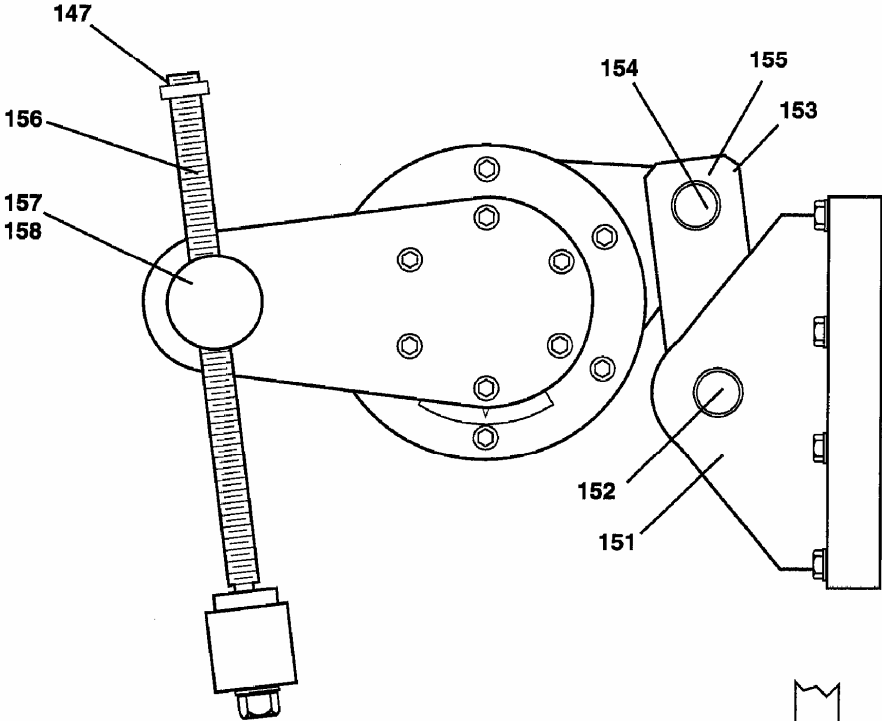
CYLINDER ASSEMBLY

ITEM NO.	DESCRIPTION	MTH II-HS	MTH II-HS	MTH II-HS	MTH II-HS	MTH II-HS	MTH II-HS	MTH II-HS
		60-72	60-96	60-120	100-96	100-120	100-144	100-168
78	Back-Up, O-Ring	3255-418	3255-418	3255-418	3255-442	3255-442	3255-442	3255-442
79	O-Ring	3255-177	3255-177	3255-177	3255-182	3255-182	3255-182	3255-182
80	O-Ring	3255-201	3255-201	3255-201	3255-246	3255-246	3255-246	3255-246
81	Cap, Cylinder Top	7437-422	7437-422	7437-422	7437-666	7437-666	7437-666	7437-666
82	Screw	3303-630	3303-630	3303-630	3303-633	3303-633	3303-633	3303-633
83	Back-Up, O-Ring	3255-420	3255-420	3255-420	3255-322	3255-322	3255-322	3255-322
84	O-Ring	3255-112	3255-112	3255-112	3255-121	3255-121	3255-121	3255-121
85	Screw				3303-130	3303-130	3303-130	3303-130
86	Cap, Fill Valve	7437-427	7437-427	7437-427	7437-432	7437-432	7437-432	7437-432
88	Fitting				3822-183	3822-183	3822-183	3822-183
89	Spring, Valve	3510-500	3510-500	3510-500	3510-510	3510-510	3510-510	3510-510
90	Retainer, Fill Valve Spring	7437-433	7437-433	7437-433	7437-437	7437-437	7437-437	7437-437
91	Valve	3760-040	3760-040	3760-040	3760-017	3760-017	3760-017	3760-017
92	Fitting				3822-185	3822-185	3822-185	3822-185
93	Screw				3303-127	3303-127	3303-127	3303-127
94	O-Ring				3255-104	3255-104	3255-104	3255-104
95	Ell, 90 Deg.				3822-212	3822-212	3822-212	3822-212
96	Plug				3838-033	3838-033	3838-033	3838-033
97	Screw				3303-151	3303-151	3303-151	3303-151

ITEM NO.	DESCRIPTION	MTH II-HS	MTH II-HS	MTH II-HS	MTH II-HS
		140-96	140-120	140-144	140-168
65	Housing, Cylinder	7437-665	7437-665	7437-665	7437-665
66	O-Ring	3255-235	3255-235	3255-235	3255-235
67	O-Ring, Backup	3255-435	3255-435	3255-435	3255-435
68	Seal, Step - Rod	3211-819	3211-819	3211-819	3211-819
69	Bearing, Rod	3188-009	3188-009	3188-009	3188-009
70	Seal, Step - Rod	3211-803	3211-803	3211-803	3211-803
71	Wiper	3211-712	3211-712	3211-712	3211-712
72	Rod, Piston	7437-436	7437-436	7437-436	7437-436
73	Cap, Cylinder Rod	7437-667	7437-667	7437-667	7437-667
74	Screw	3303-111	3303-111	3303-111	3303-111
75	Bearing, Piston	3188-017	3188-017	3188-017	3188-017
76	Seal, Piston	3211-832	3211-832	3211-832	3211-832
77	O-Ring	3255-248	3255-248	3255-248	3255-248
78	Back-Up, O-Ring	3255-442	3255-442	3255-442	3255-442
79	O-Ring	3255-182	3255-182	3255-182	3255-182
80	O-Ring	3255-246	3255-246	3255-246	3255-246
81	Cap, Cylinder Top	7437-666	7437-666	7437-666	7437-666
82	Screw	3303-633	3303-633	3303-633	3303-633
83	Back-Up, O-Ring	3255-322	3255-322	3255-322	3255-322
84	O-Ring	3255-121	3255-121	3255-121	3255-121
85	Screw	3303-130	3303-130	3303-130	3303-130
86	Cap, Fill Valve	7437-432	7437-432	7437-432	7437-432
87	Plug, Orifice	7437-298	7437-298	7437-298	7437-298
88	Fitting	3822-183	3822-183	3822-183	3822-183
89	Spring, Valve	3510-510	3510-510	3510-510	3510-510
90	Retainer, Fill Valve Spring	7437-437	7437-437	7437-437	7437-437
91	Valve	3760-017	3760-017	3760-017	3760-017
92	Fitting	3822-185	3822-185	3822-185	3822-185
93	Screw	3303-127	3303-127	3303-127	3303-127
94	O-Ring	3255-104	3255-104	3255-104	3255-104
95	Ell, 90 Deg.	3822-212	3822-212	3822-212	3822-212
96	Plug	3838-033	3838-033	3838-033	3838-033
97	Screw	3303-151	3303-151	3303-151	3303-151

MTH II-HS PRESS BRAKES

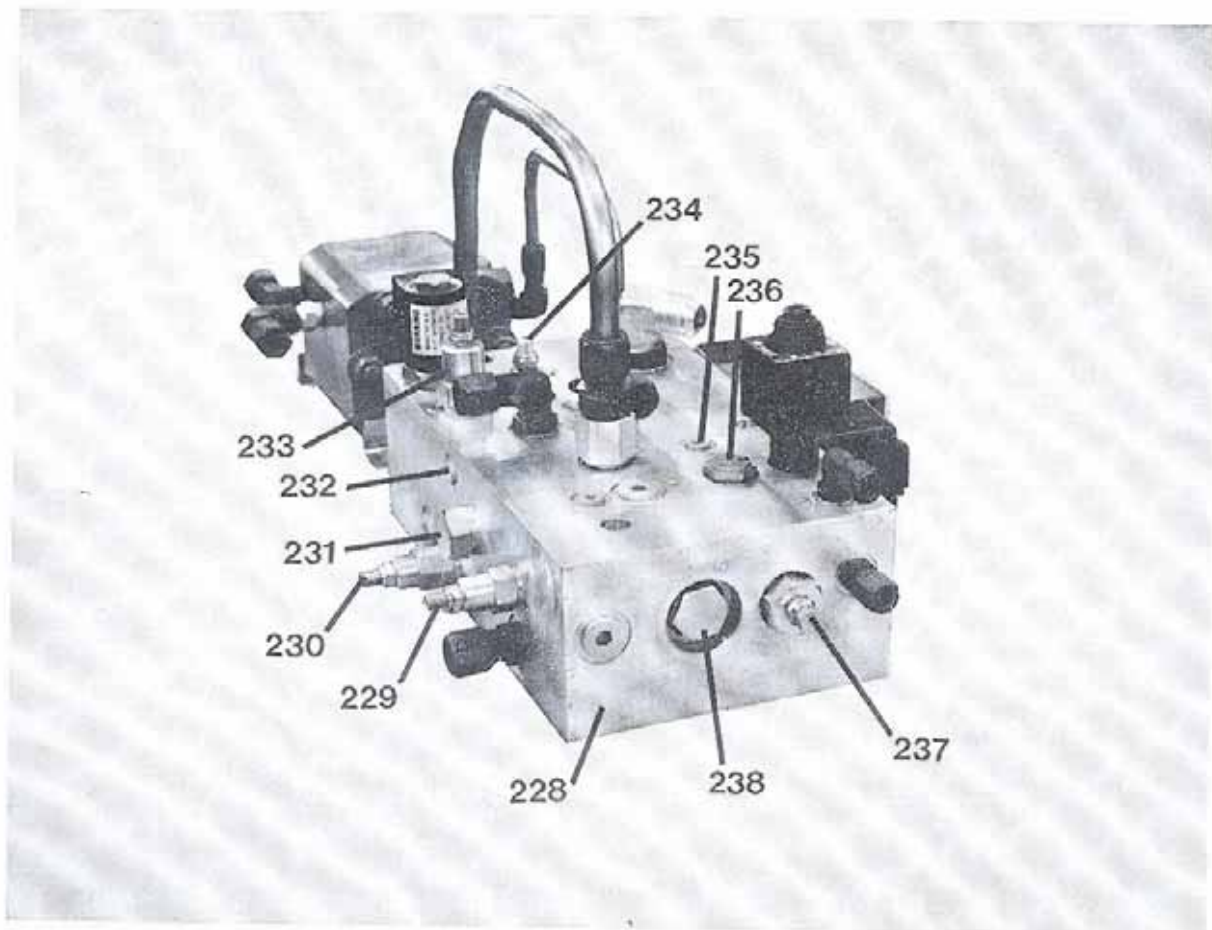
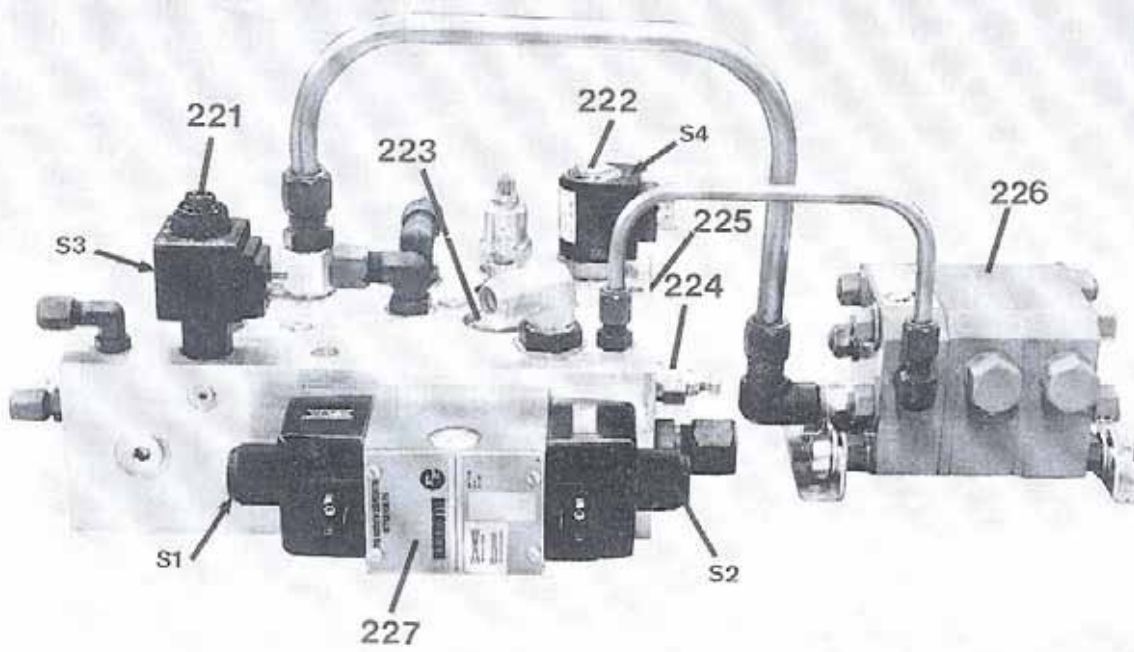
TORQUE SHAFT ASSEMBLY



TORQUE SHAFT ASSEMBLY

ITEM NO.	DESCRIPTION	MTH II-HS	MTH II-HS	MTH II-HS	MTH II-HS	MTH II-HS	MTH II-HS	MTH II-HS
		60-72	60-96	60-120	100-96	100-120	100-144	100-168
145	Sleeve, Torque Shaft Bearing	7437-625	7437-625	7437-625	7437-601	7437-601	7437-601	7437-601
146	Shaft, Torque	7237-372	7237-373		7237-474	7237-342	7237-341	7237-340
147	Collar, Locking	3302-119	3302-119	3302-119		3302-119	3302-119	3302-119
148	Washer, Thrust	3105-123	3105-123	3105-123	3105-123	3105-123	3105-123	3105-123
149	Bearing, Self Align	3130-010	3130-010	3130-010	3130-017	3130-017	3130-017	3130-017
150	Collar, Locking	3302-117	3302-117	3302-117	3302-117	3302-117	3302-117	3302-117
151	Bracket, Conn. Link	7237-370	7237-370	7237-370	7237-336	7237-336	7237-336	7237-336
152	Pin, Lower Pivot	7437-633	7437-633	7437-633	7437-412	7437-412	7437-412	7437-412
153	Link, Torque Shaft	7437-635	7437-635	7437-635	7437-413	7437-413	7437-413	7437-413
154	Pin, Torque Shaft Link	7437-634	7437-634	7437-634	7437-237	7437-237	7437-237	7437-237
155	Ring, Waldes External	3351-032	3351-032	3351-032	3351-045	3351-045	3351-045	3351-045
156	Screw, Torque Shaft	3358-315	3358-315	3358-315	3358-320	3358-320	3358-320	3358-320
157	Retainer, Tilt Adj. Nut	7437-505	7437-505	7437-505	7437-505	7437-505	7437-505	7437-505
158	Nut, Torque Screw	3358-315	3358-315	3358-315	3358-320	3358-320	3358-320	3358-320
159	Ring, Bearing Retaining	7437-620	7437-620	7437-620	7437-596	7437-596	7437-596	7437-596
160	Arm, Torque Shaft Adj.	7437-626	7437-626	7437-626	7437-609	7437-609	7437-609	7437-609
161	Pivot, Torque Shaft,L.H.	7437-619	7437-619	7437-619	7437-595	7437-595	7437-595	7437-595
162	Brg. Self Align	3130-144	3130-144	3130-144	3130-150	3130-150	3130-150	3130-150
163	Bearing, Tilt Adj. Eccentric	7437-622	7437-622	7437-622	7437-607	7437-607	7437-607	7437-607
166	Block, Tilt Screw Mtg.	7437-621	7437-621	7437-621	7437-599	7437-599	7437-599	7437-599
167	Ring, Waldes External	3351-065	3351-065	3351-065	3351-065	3351-065	3351-065	3351-065
168	Washer, Tilt Screw Mtg. Block	7437-504	7437-504	7437-504	7437-504	7437-504	7437-504	7437-504

ITEM NO.	DESCRIPTION	MTH II-HS	MTH II-HS	MTH II-HS	MTH II-HS
		140-96	140-120	140-144	140-168
145	Sleeve, Torque Shaft Bearing	7437-601	7437-601	7437-601	7437-601
146	Shaft, Torque	7237-474	7237-342	7237-341	7237-340
147	Collar, Locking	3302-119	3302-119	3302-119	3302-119
148	Washer, Thrust	3105-123	3105-123	3105-123	3105-123
149	Bearing, Self Align	3130-017	3130-017	3130-017	3130-017
150	Collar, Locking	3302-117	3302-117	3302-117	3302-117
151	Bracket, Conn. Link	7237-336	7237-336	7237-336	7237-336
152	Pin, Lower Pivot	7437-412	7437-412	7437-412	7437-412
153	Link, Torque Shaft	7437-413	7437-413	7437-413	7437-413
154	Pin, Torque Shaft Link	7437-237	7437-237	7437-237	7437-237
155	Ring, Waldes External	3351-045	3351-045	3351-045	3351-045
156	Screw, Torque Shaft	3358-320	3358-320	3358-320	3358-320
157	Retainer, Tilt Adj. Nut	7437-505	7437-505	7437-505	7437-505
158	Nut, Torque Screw	3358-320	3358-320	3358-320	3358-320
159	Ring, Bearing Retaining	7437-596	7437-596	7437-596	7437-596
160	Arm, Torque Shaft Adj.	7437-609	7437-609	7437-609	7437-609
161	Pivot, Torque Shaft,L.H.	7437-595	7437-595	7437-595	7437-595
162	Brg. Self Align	3130-150	3130-150	3130-150	3130-150
163	Bearing, Tilt Adj. Eccentric	7437-607	7437-607	7437-607	7437-607
166	Block, Tilt Screw Mtg.	7437-599	7437-599	7437-599	7437-599
167	Ring, Waldes External	3351-065	3351-065	3351-065	3351-065
168	Washer, Tilt Screw Mtg. Block	7437-504	7437-504	7437-504	7437-504



CONTROL MANIFOLD

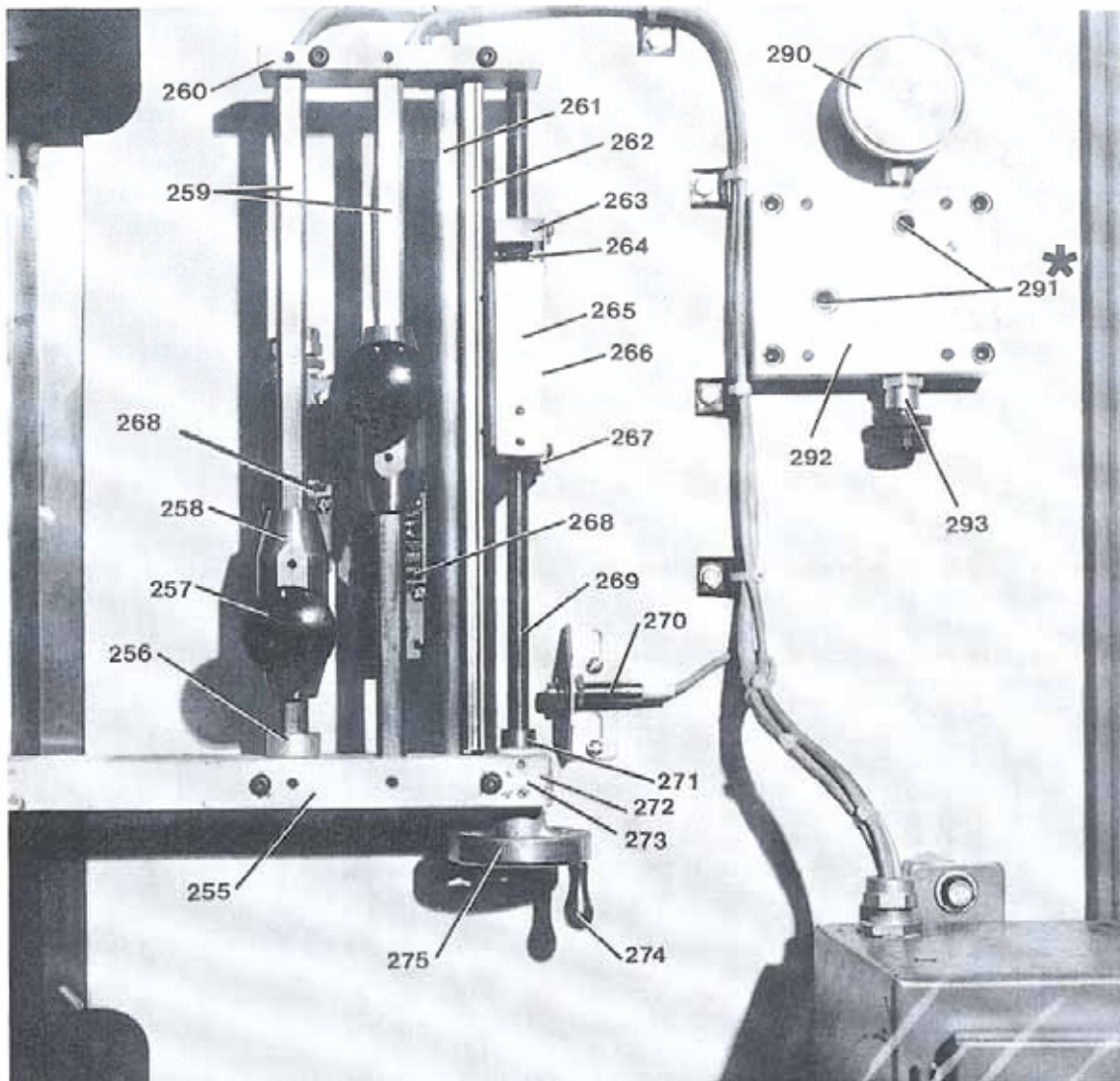
ITEM NO.	DESCRIPTION	MTH II-HS	MTH II-HS	MTH II-HS	MTH II-HS	MTH II-HS	MTH II-HS	MTH II-HS
		60-72	60-96	60-120	100-96	100-120	100-144	100-168
221	Valve, 3-Way Solenoid (50*)	3751-310	3751-310	3751-310	3751-310	3751-310	3751-310	3751-310
222	Valve, 2-Way Solenoid (49*)	3749-106	3749-106	3749-106	3749-106	3749-106	3749-106	3749-106
223	Valve, Check (40*)	3755-391	3755-391	3755-391	3755-391	3755-391	3755-391	3755-391
224	Valve, Relief (42*)	3762-295	3762-295	3762-295	3762-295	3762-295	3762-295	3762-295
226	Valve, Flow Divider (56*)	3759-035	3759-035	3759-035	3759-035	3759-035	3759-035	3759-035
227	Valve, 4-Way (55*)	3759-292	3759-292	3759-292	3759-292	3759-292	3759-292	3759-292
228	Manifold, Control (19*)	3773-665	3773-665	3773-665	3773-665	3773-665	3773-665	3773-665
229	Valve, Needle (46*)	3759-323	3759-323	3759-323	3759-323	3759-323	3759-323	3759-323
230	Valve, Relief (43*)	3762-302	3762-302	3762-302	3762-302	3762-302	3762-302	3762-302
231	Valve, Check (38*)	3755-391	3755-391	3755-391	3755-391	3755-391	3755-391	3755-391
232	Port, Gage - Up (11*)							
233	Valve, Needle (39*)	3759-372	3759-372	3759-372	3759-372	3759-372	3759-372	3759-372
234	Valve, Relief (45*)	3762-302	3762-302	3762-302	3762-302	3762-302	3762-302	3762-302
235	Port, Gage - Down (12*)							
236	Valve, Check (53*)	3755-360	3755-360	3755-360	3755-360	3755-360	3755-360	3755-360
238	Valve, Check (37*)	3755-391	3755-391	3755-391	3755-391	3755-391	3755-391	3755-391

ITEM NO.	DESCRIPTION	MTH II-HS	MTH II-HS	MTH II-HS	MTH II-HS
		140-96	140-120	140-144	140-168
221	Valve, 3-Way Solenoid (50*)	3751-310	3751-310	3751-310	3751-310
222	Valve, 2-Way Solenoid (49*)	3749-106	3749-106	3749-106	3749-106
223	Valve, Check (40*)	3755-391	3755-391	3755-391	3755-391
224	Valve, Relief (42*)	3762-295	3762-295	3762-295	3762-295
226	Valve, Flow Divider (56*)	3759-035	3759-035	3759-035	3759-035
227	Valve, 4-Way (55*)	3759-292	3759-292	3759-292	3759-292
228	Manifold, Control (19*)	3773-665	3773-665	3773-665	3773-665
229	Valve, Needle (46*)	3759-373	3759-373	3759-373	3759-373
230	Valve, Relief (43*)	3762-302	3762-302	3762-302	3762-302
231	Valve, Check (38*)	3755-391	3755-391	3755-391	3755-391
232	Port, Gage - Up (11*)				
233	Valve, Needle (39*)	3759-372	3759-372	3759-372	3759-372
234	Valve, Relief (45*)	3762-302	3762-302	3762-302	3762-302
235	Port, Gage - Down (12*)				
236	Valve, Check (53*)	3755-360	3755-360	3755-360	3755-360
238	Valve, Check (37*)	3755-391	3755-391	3755-391	3755-391

***REFERENCE NUMBER SHOWN ON PAGE 14—HYDRAULIC SCHEMATIC**

MTH II-HS PRESS BRAKES

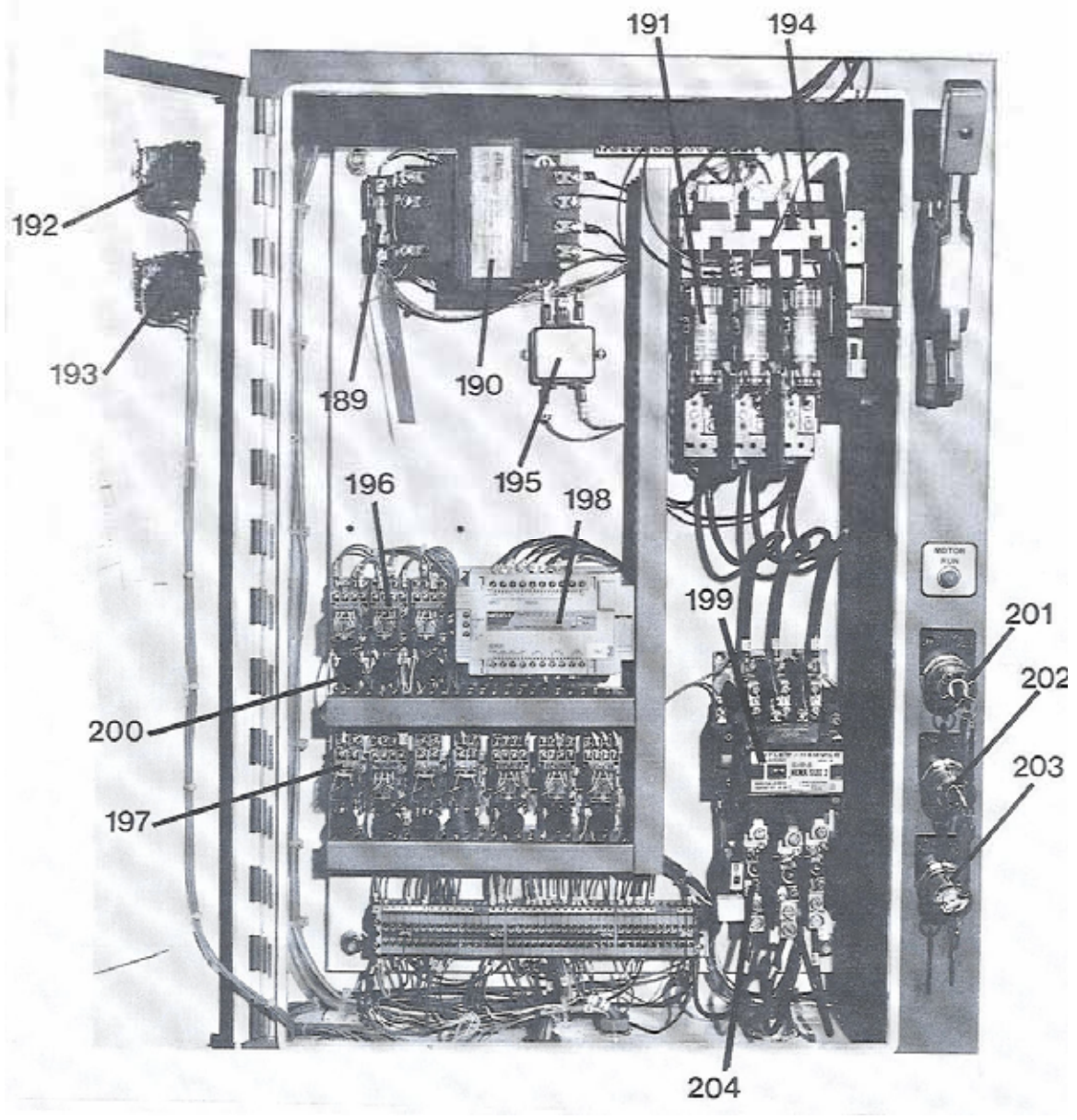
STROKE CONTROL



STROKE CONTROL

ITEM NO.	DESCRIPTION	MTH II-HS 60-72	MTH II-HS 60-96	MTH II-HS 60-120	MTH II-HS 100-96	MTH II-HS 100-120	MTH II-HS 100-144	MTH II-HS 100-168
255	Bracket, Stroke Adj.	7237-180	7237-180	7237-180	7237-245	7237-245	7237-245	7237-245
256	Collar, Set	3302-011	3302-011	3302-011	3302-011	3302-011	3302-011	3302-011
257	Knob, Plastic	2203-008	2203-008	2203-008	2203-008	2203-008	2203-008	2203-008
258	Dog, Low Speed & Top Stop	7437-363	7437-363	7437-363	7437-363	7437-363	7437-363	7437-363
259	Rod, Switch Dog	7437-367	7437-367	7437-367	7437-418	7437-418	7437-418	7437-418
260	Support, Switch Rod	7437-362	7437-362	7437-362	7437-362	7437-362	7437-362	7437-362
261	Rod, Bottom Stop	7437-366	7437-366	7437-366	7437-417	7437-417	7437-417	7437-417
262	Bearing, Slide	3162-010	3162-010	3162-010	3162-015	3162-015	3162-015	3162-015
263	Nut, Switch Guide	7488-113	7488-113	7488-113	7488-113	7488-113	7488-113	7488-113
264	Spring, Compression	3504-078	3504-078	3504-078	3504-078	3504-078	3504-078	3504-078
265	Guide, Switch Trip	7437-365	7437-365	7437-365	7437-365	7437-365	7437-365	7437-365
266	Nut, Switch Guide	7488-141	7488-141	7488-141	7488-141	7488-141	7488-141	7488-141
267	Trip, Prox. Switch	7437-370	7437-370	7437-370	7437-370	7437-370	7437-370	7437-370
268	Switch, Limit	4114-105	4114-105	4114-105	4114-105	4114-105	4114-105	4114-105
269	Screw, Switch Adj.	7437-364	7437-364	7437-364	7437-415	7437-415	7437-415	7437-415
270	Switch, Proximity	4110-630	4110-630	4110-630	4110-630	4110-630	4110-630	4110-630
271	Collar, Set	3302-009	3302-009	3302-009	3302-009	3302-009	3302-009	3302-009
272	Bearing, Flange	3121-029	3121-029	3121-029	3121-029	3121-029	3121-029	3121-029
273	Pointer	7437-376	7437-376	7437-376	7437-376	7437-376	7437-376	7437-376
274	Handwheel	2203-761	2203-761	2203-761	2203-761	2203-761	2203-761	2203-761
275	Scale, Handwheel	2205-407	2205-407	2205-407	2205-407	2205-407	2205-407	2205-407
276	Cover (Not Shown)	7437-482	7437-482	7437-482	7437-414	7437-414	7437-414	7437-414
290	Gauge, Pressure	3237-140	3237-140	3237-140	3237-140	3237-140	3237-140	3237-140
291	Plug, Pressure	3801-004	3801-004	3801-004	3801-004	3801-004	3801-004	3801-004
292	Manifold, Tonnage	3773-625	3773-625	3773-625	3773-625	3773-625	3773-625	3773-625
293	Valve, Relief	3762-297	3762-297	3762-297	3762-297	3762-297	3762-297	3762-297

ITEM NO.	DESCRIPTION	MTH II-HS 140-96	MTH II-HS 140-120	MTH II-HS 140-144	MTH II-HS 140-168
255	Bracket, Stroke Adj.	7237-245	7237-245	7237-245	7237-245
256	Collar, Set	3302-011	3302-011	3302-011	3302-011
257	Knob, Plastic	2203-008	2203-008	2203-008	2203-008
258	Dog, Low Speed & Top Stop	7437-363	7437-363	7437-363	7437-363
259	Rod, Switch Dog	7437-418	7437-418	7437-418	7437-418
260	Support, Switch Rod	7437-362	7437-362	7437-362	7437-362
261	Rod, Bottom Stop	7437-417	7437-417	7437-417	7437-417
262	Bearing, Slide	3162-015	3162-015	3162-015	3162-015
263	Nut, Switch Guide	7488-113	7488-113	7488-113	7488-113
264	Spring, Compression	3504-078	3504-078	3504-078	3504-078
265	Guide, Switch Trip	7437-365	7437-365	7437-365	7437-365
266	Nut, Switch Guide	7488-141	7488-141	7488-141	7488-141
267	Trip, Prox. Switch	7437-370	7437-370	7437-370	7437-370
268	Switch, Limit	4114-105	4114-105	4114-105	4114-105
269	Screw, Switch Adj.	7437-415	7437-415	7437-415	7437-415
270	Switch, Proximity	4110-630	4110-630	4110-630	4110-630
271	Collar, Set	3302-009	3302-009	3302-009	3302-009
272	Bearing, Flange	3121-029	3121-029	3121-029	3121-029
273	Pointer	7437-376	7437-376	7437-376	7437-376
274	Handwheel	2203-761	2203-761	2203-761	2203-761
275	Scale, Handwheel	2205-407	2205-407	2205-407	2205-407
276	Cover (Not Shown)	7437-414	7437-414	7437-414	7437-414
290	Gauge, Pressure	3237-140	3237-140	3237-140	3237-140
291	Plug, Pressure	3801-004	3801-004	3801-004	3801-004
292	Manifold, Tonnage	3773-625	3773-625	3773-625	3773-625
293	Valve, Relief	3762-297	3762-297	3762-297	3762-297



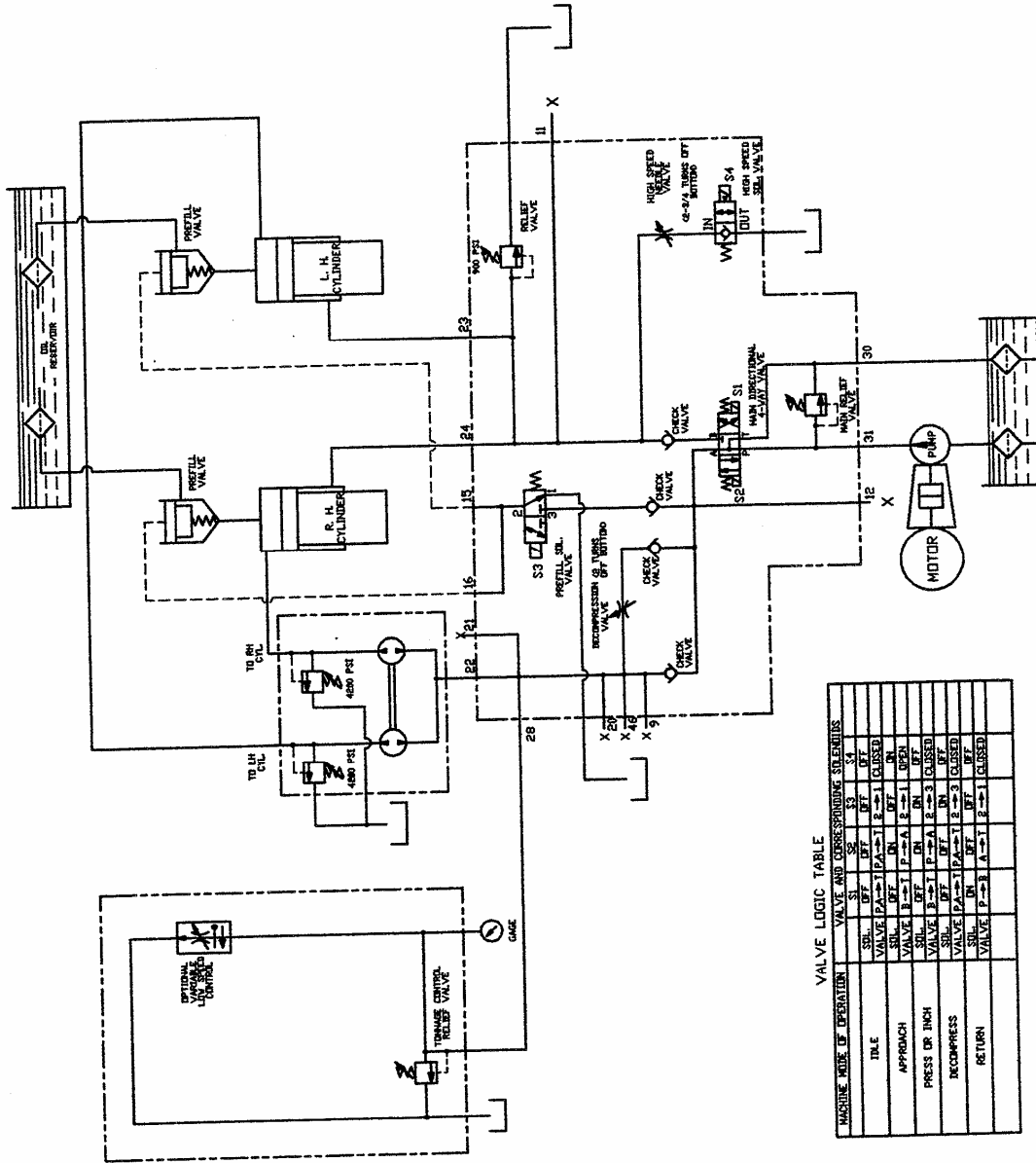
ELECTRICALS

ITEM NO.	DESCRIPTION	MTH II-HS 60-72	MTH II-HS 60-96	MTH II-HS 60-120	MTH II-HS 100-96	MTH II-HS 100-120	MTH II-HS 100-144	MTH II-HS 100-168
189	Fuse	4327-603	4327-603	4327-603	4328-184	4328-184	4328-184	4328-184
190	Transformer	4177-308	4177-308	4177-308	4177-308	4177-308	4177-308	4177-308
191	Fuse @ 230 Volt	4328-750	4328-750	4328-750	4328-770	4328-770	4328-770	4328-770
191A	Fuse @ 460 Volt	4328-730	4328-730	4328-730	4328-740	4328-740	4328-740	4328-740
192	Push Button - Start	4128-604	4128-604	4128-604	4128-604	4128-604	4128-604	4128-604
193	Push Button - Stop	4128-609	4128-609	4128-609	4128-609	4128-609	4128-609	4128-609
194	Disconnect	4171-603	4171-603	4171-603	4171-601	4171-601	4171-601	4171-601
195	Filter	4179-175	4179-175	4179-175	4179-175	4179-175	4179-175	4179-175
196	Relay	4136-601	4136-601	4136-601	4136-601	4136-601	4136-601	4136-601
197	Relay	4136-674	4136-674	4136-674	4136-674	4136-674	4136-674	4136-674
198	Prog. Log. Controller	4104-401-01	4104-401-01	4104-401-01	4104-401-01	4104-401-01	4104-401-01	4104-401-01
199	Starter	4150-703	4150-703	4150-703	4150-704	4150-704	4150-704	4150-704
200	Suppressor	3903-010	3903-010	3903-010	3903-010	3903-010	3903-010	3903-010
201	Switch - Inch/Man/Auto	4161-240	4161-240	4161-240	4161-240	4161-240	4161-240	4161-240
202	Switch - High/Low	4161-294	4161-294	4161-294	4161-294	4161-294	4161-294	4161-294
203	Switch - Palm/Foot	4161-230	4161-230	4161-230	4161-230	4161-230	4161-230	4161-230
204	Heater, Overload @ 230 V.	4125-379	4125-379	4125-379	4125-521	4125-521	4125-521	4125-521
204A	Heater, Overload @ 460 V.	4125-553	4125-553	4125-553	4125-519	4125-519	4125-519	4125-519

ITEM NO.	DESCRIPTION	MTH II-HS 140-96	MTH II-HS 140-120	MTH II-HS 140-144	MTH II-HS 140-168
189	Fuse	4328-184	4328-184	4328-184	4328-184
190	Transformer	4177-308	4177-308	4177-308	4177-308
191	Fuse @ 230 Volt	4328-770	4328-770	4328-770	4328-770
191A	Fuse @ 460 Volt	4328-740	4328-740	4328-740	4328-740
192	Push Button - Start	4128-604	4128-604	4128-604	4128-604
193	Push Button - Stop	4128-609	4128-609	4128-609	4128-609
194	Disconnect	4171-601	4171-601	4171-601	4171-601
195	Filter	4179-175	4179-175	4179-175	4179-175
196	Relay	4136-601	4136-601	4136-601	4136-601
197	Relay	4136-674	4136-674	4136-674	4136-674
198	Prog. Log. Controller	4104-401-01	4104-401-01	4104-401-01	4104-401-01
199	Starter	4150-704	4150-704	4150-704	4150-704
200	Suppressor	3903-010	3903-010	3903-010	3903-010
201	Switch - Inch/Man/Auto	4161-240	4161-240	4161-240	4161-240
202	Switch - High/Low	4161-294	4161-294	4161-294	4161-294
203	Switch - Palm/Foot	4161-230	4161-230	4161-230	4161-230
204	Heater, Overload @ 230 V.	4125-521	4125-521	4125-521	4125-521
204A	Heater, Overload @ 460 V.	4125-519	4125-519	4125-519	4125-519

MTH II-HS PRESS BRAKES

HYDRAULIC SCHEMATIC



VALVE LOGIC TABLE

MACHINE MODE OF OPERATION	VALVE AND CORRESPONDING SOLENOIDS			
	S1	S2	S3	S4
TITLE	VALVE PA → 1	PA → 1	E → 1	CL
APPROACH	VALVE B → 1	B → 1	A → 1	CL
PRESS OR INCH	VALVE B → 1	B → 1	A → 1	CL
RECOMPRESS	VALVE PA → 1	PA → 1	E → 1	CL
RETURN	VALVE P → 3	A → 1	E → 1	CL